

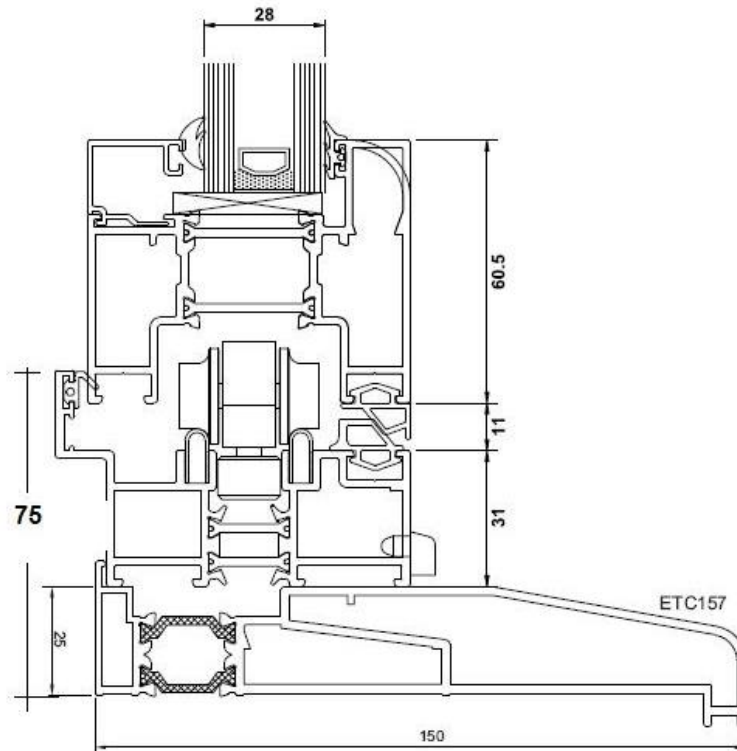
# VISOFOLD 1000 SLIMLINE BIFOLD DOOR

**PROFILES  
SIGHT LINES  
HANDLES**



Issue 4: November 2017

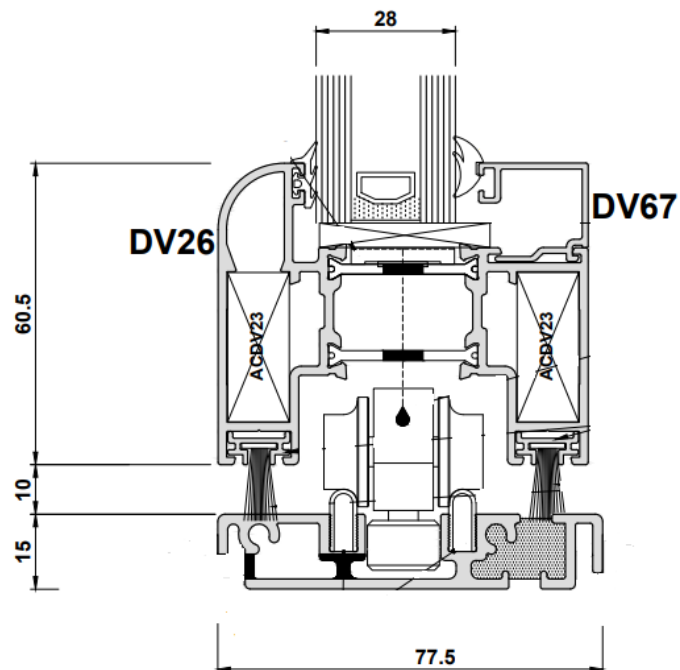
# THRESHOLD OPTIONS



**WEATHERED THRESHOLD  
(WITH OPTIONAL PROJECTING CILL)**

## 15mm LOW THRESHOLD(NON-WEATHERED)

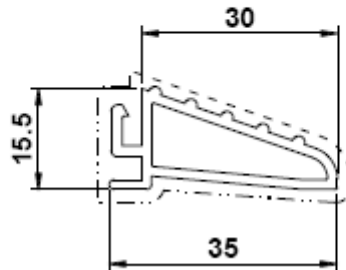
Can be sunk into the floor or fitted with optional wheelchair ramps.



*Folding Doors 2 U is a trading name of Trade Conservatories 2 U Ltd.,  
Reg Office: 36 Temple Way, Blackwater Park,  
Maldon, Essex. CM9 4PX  
Company Reg Number: 5435546 VAT Reg No: 867 4014 15*

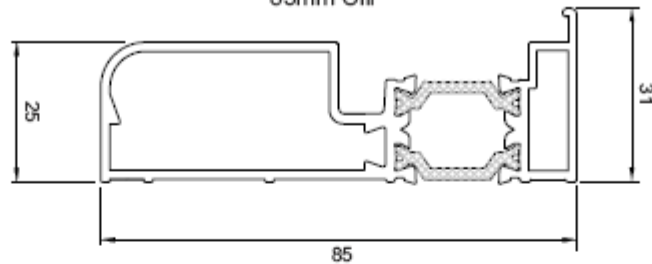
## LOW THRESHOLD RAMP(OPTIONAL)

### DV174

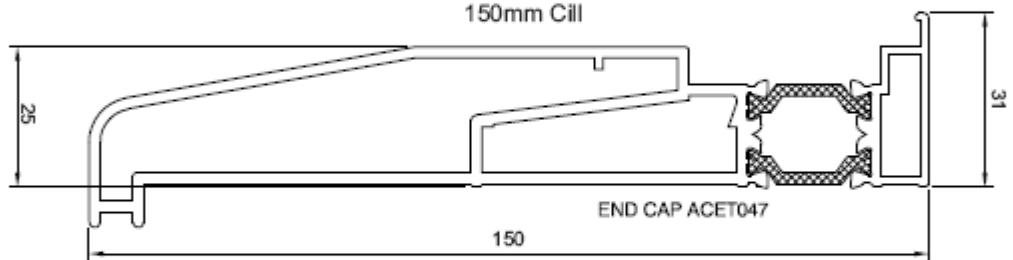


## CILL OPTIONS

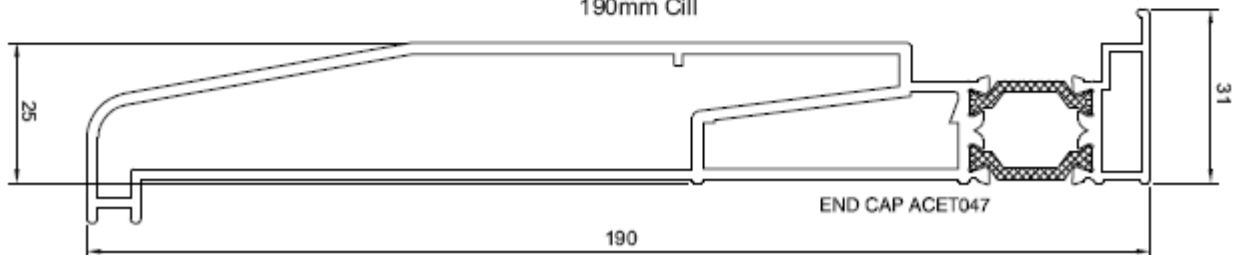
### ETC178 85mm Cill



### ETC157 150mm Cill

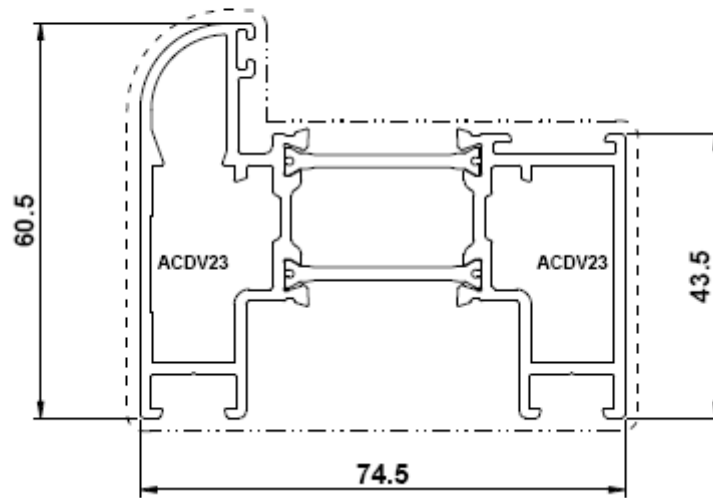


### ETC158 190mm Cill



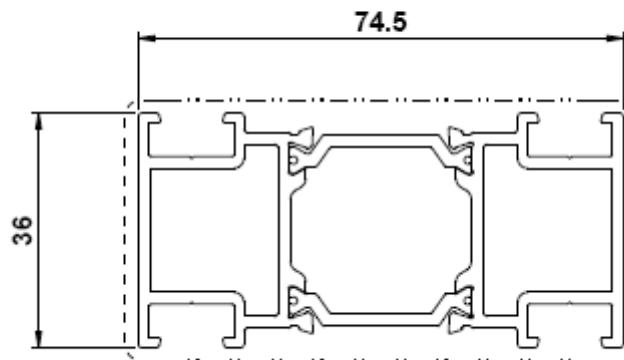
# DOOR SASH

## DV26



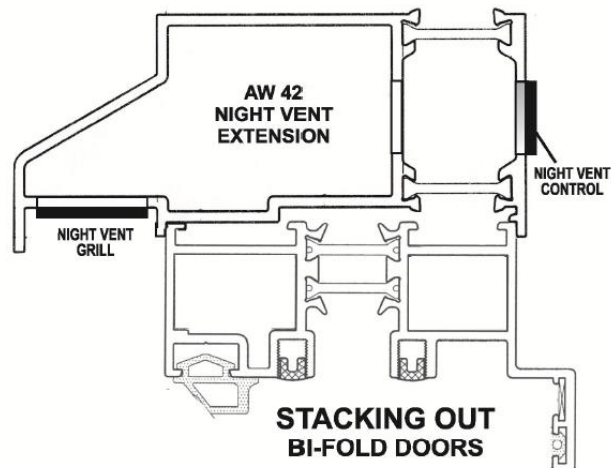
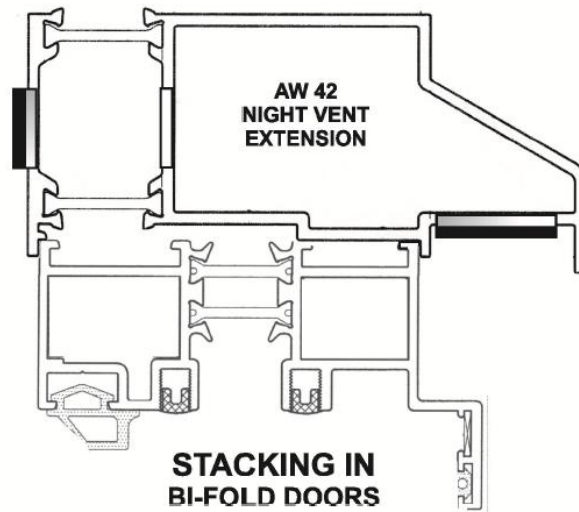
# MULLION

## DV32



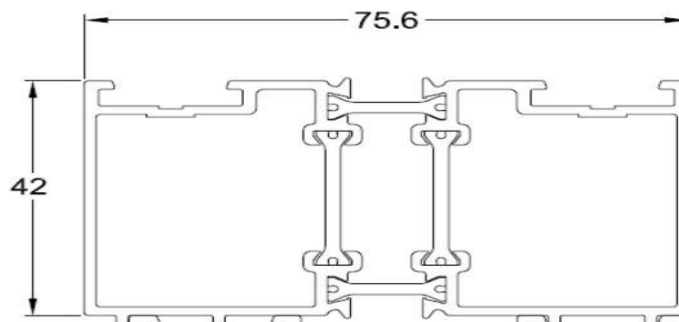
# CONCEALED TRICKLE VENT FRAME EXTENDER

## 42mm Frame extender for head



## FRAME EXTENDER

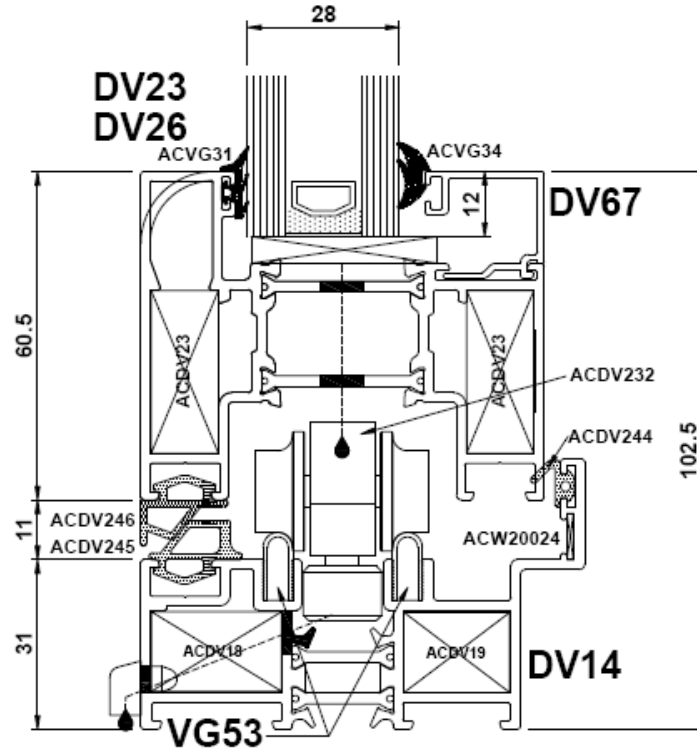
Option for frame jambs





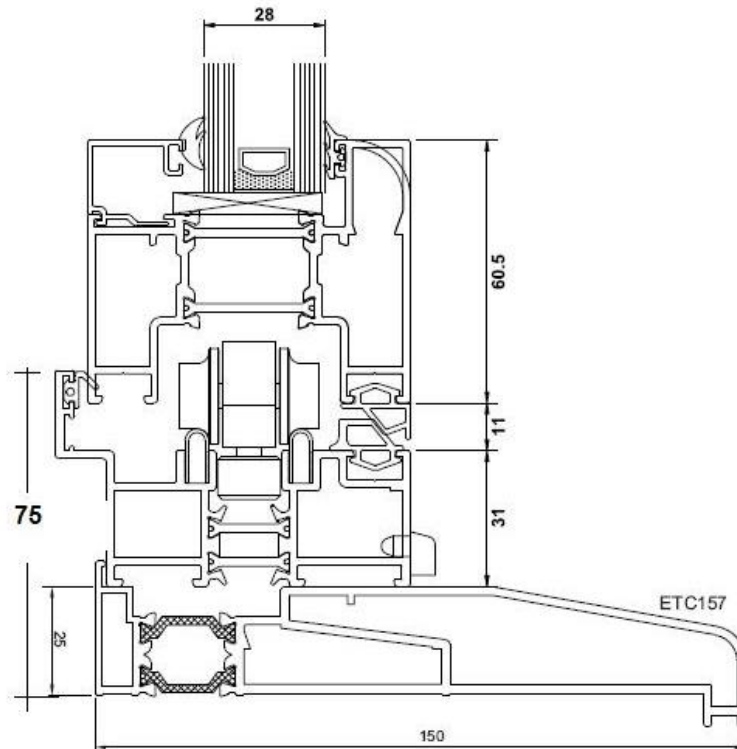


## WEATHERED THRESHOLD: OPEN OUT



## WEATHERED THRESHOLD WITH PROJECTING CILL

Underside of cill to top of threshold = 75mm



*Folding Doors 2 U is a trading name of Trade Conservatories 2 U Ltd.,  
 Reg Office: 36 Temple Way, Blackwater Park,  
 Maldon, Essex. CM9 4PX  
 Company Reg Number: 5435546 VAT Reg No: 867 4014 15*



## HANDLES

Available in a choice of white, silver, black, anthracite or chrome finishes.



Traffic Door  
Lever Handle

Intermediate shoot bolt handle



Magnetic Retaining Catch - Chrome finish only  
Supplied with bifold doors that include a traffic door



*Folding Doors 2 U is a trading name of Trade Conservatories 2 U Ltd.,  
Reg Office: 36 Temple Way, Blackwater Park,  
Maldon, Essex. CM9 4PX  
Company Reg Number: 5435546 VAT Reg No: 867 4014 15*