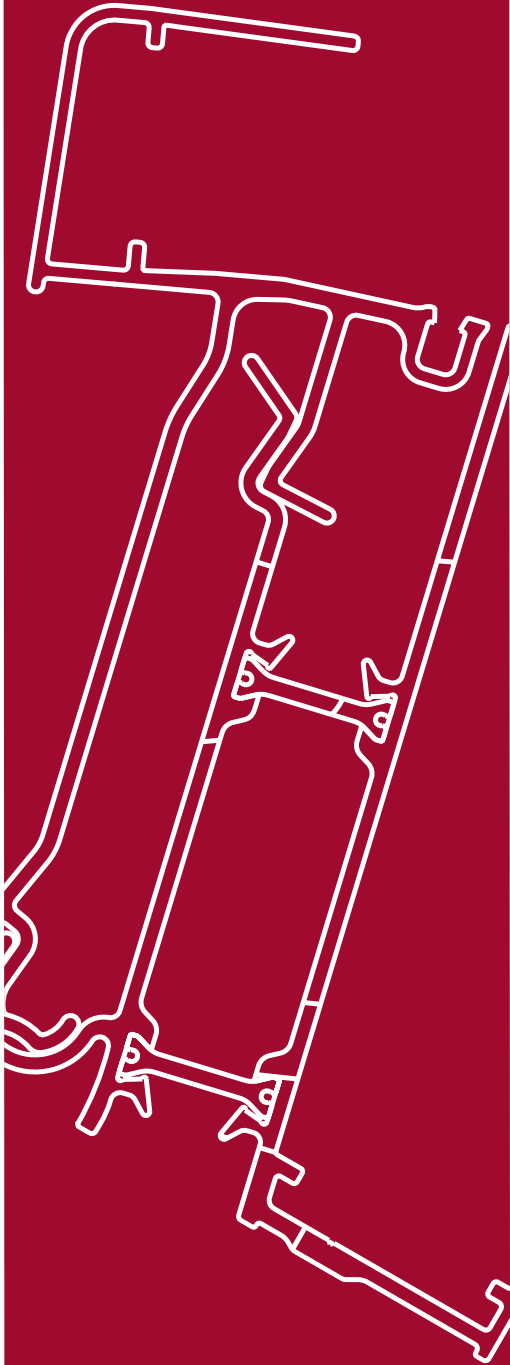


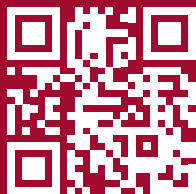
Korniche

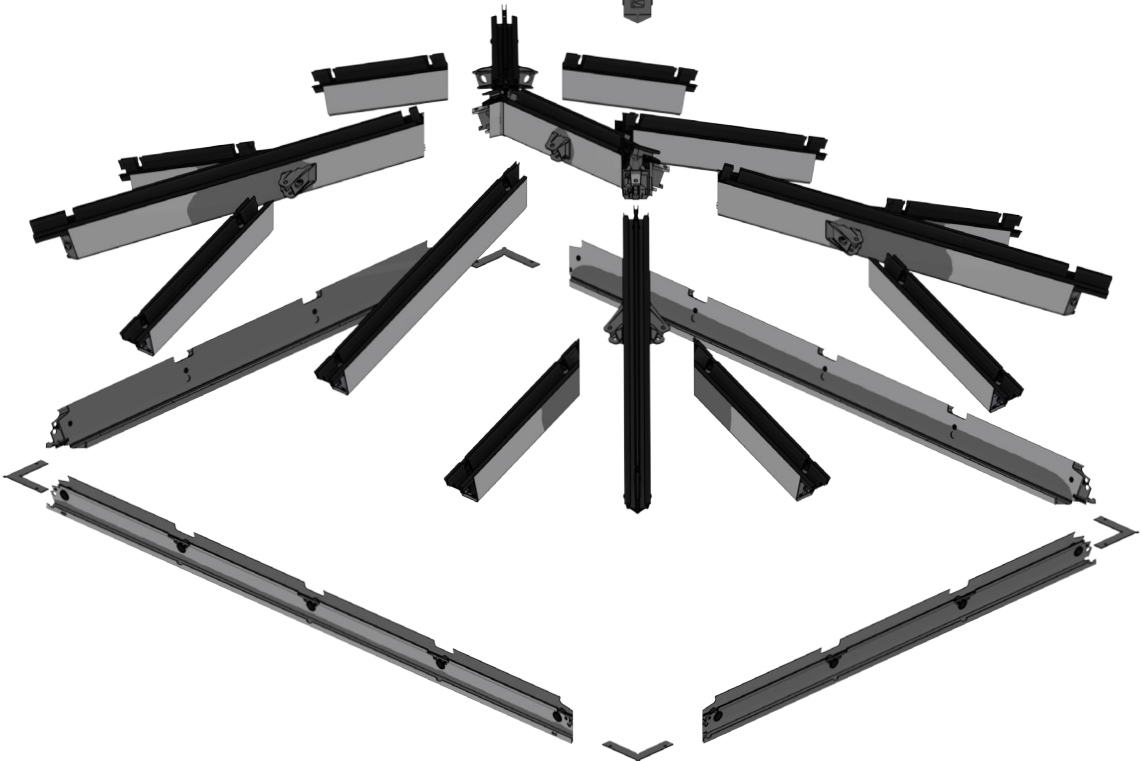
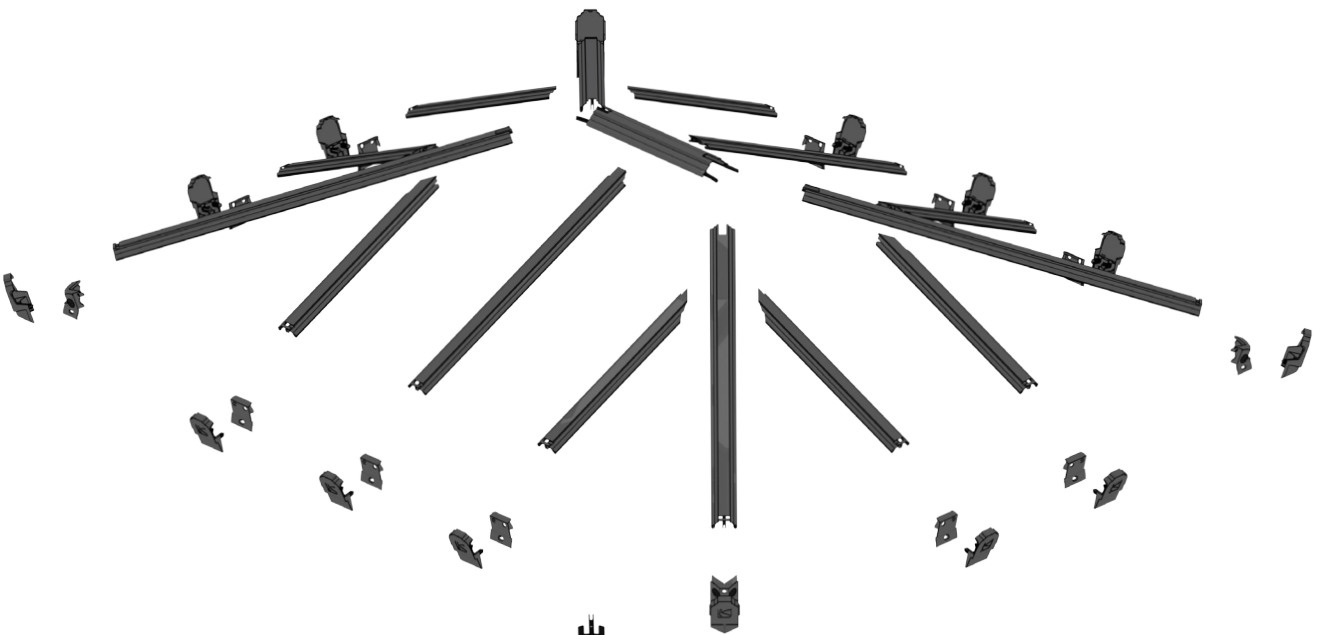
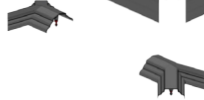
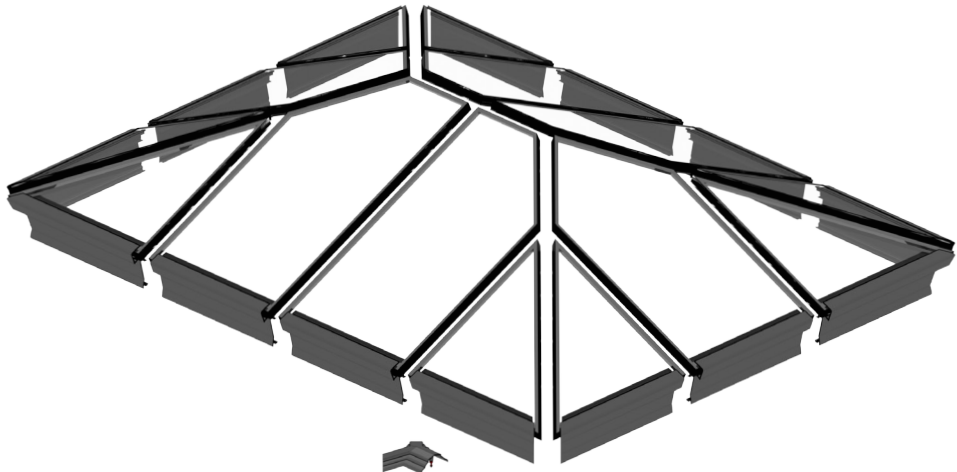
Roof Lantern

Installation Guide



Scan to view
the installation
guide on your
mobile or
tablet

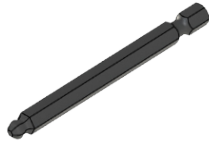




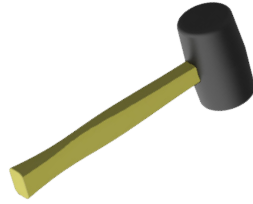
TOOLS REQUIRED



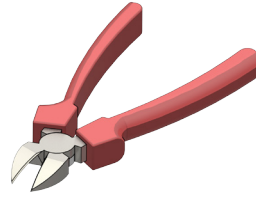
Cordless
Screwdriver



5mm Hex Bit
(Supplied)



Soft
Mallet



Wire
Cutters



Sealant

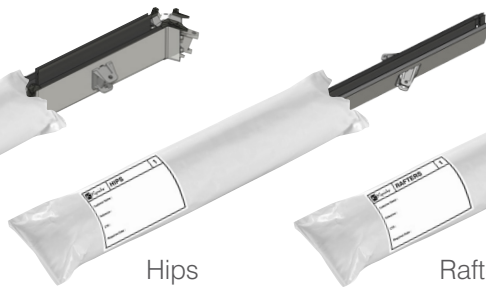
PACKAGING CONTENTS



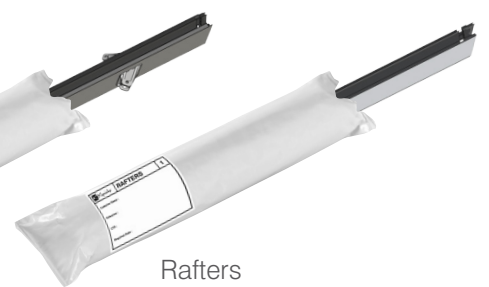
Eaves Beams



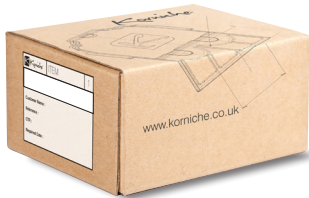
Ridge



Hips



Rafters



5mm Hex Bit



Rafter Outer
End Cap



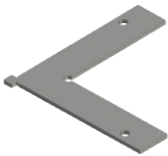
Rafter Inner
End Cap



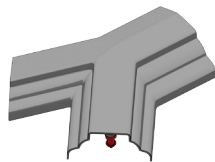
Hip Outer
End Cap



Hip Inner
End Cap



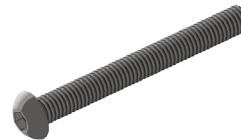
Eaves Beam
Corner Bracket



Boss Top Cap



M8x60mm
Rafter Bolts



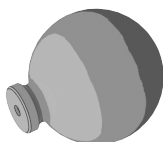
M8x70mm
Hip Bolts



M8x20mm
Isolating Collar
Bolts



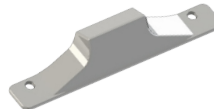
Tapered
Washers



Ball
Finial



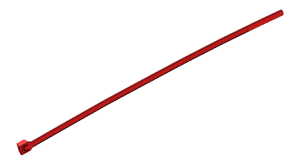
4.8x63mm
Eaves Beam
Screws



Support
Block



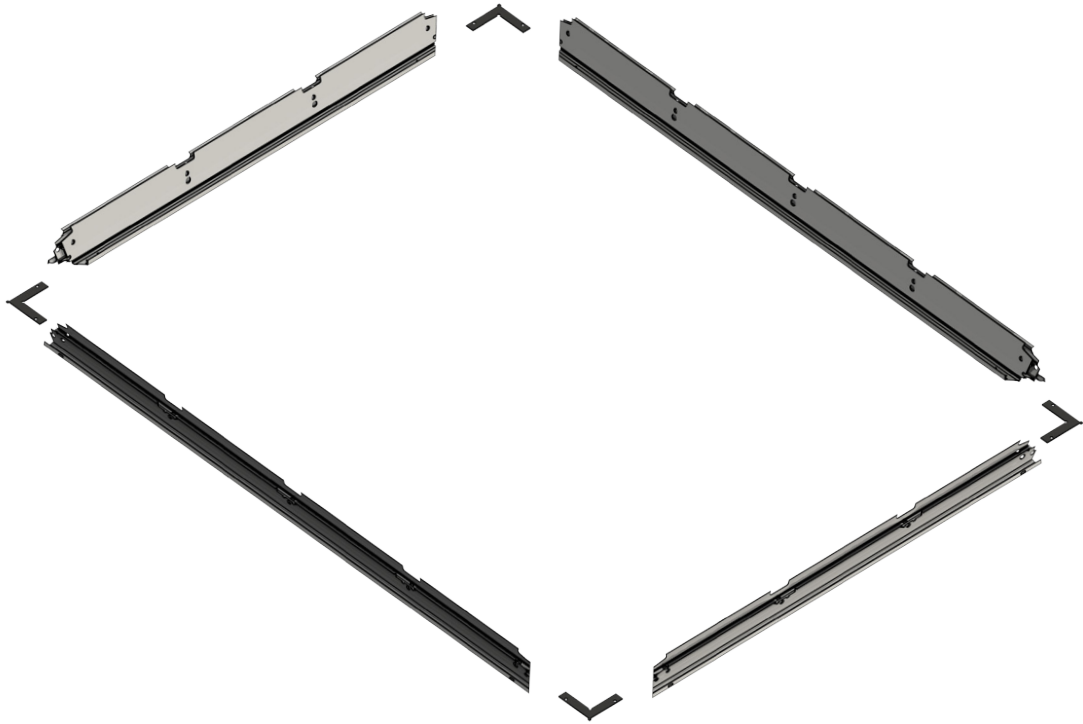
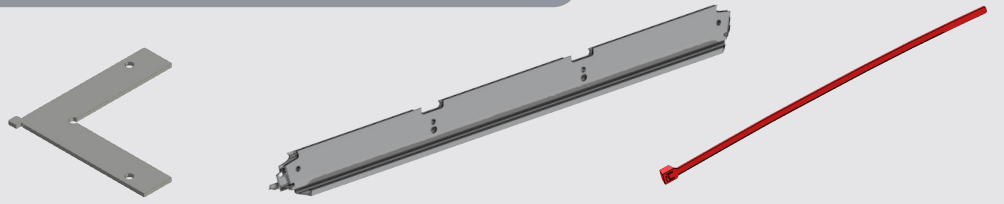
Fir Tree
Clips



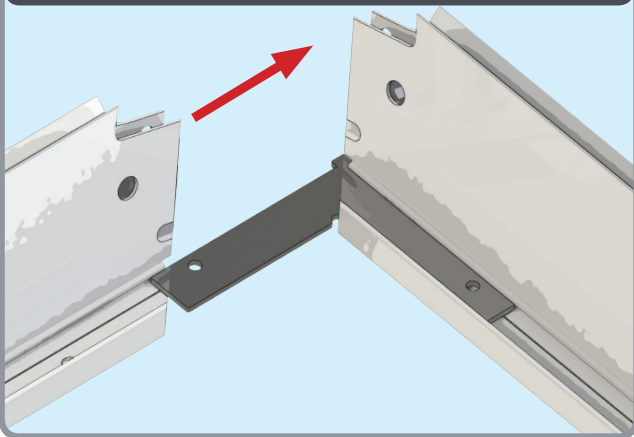
Tie-
Wrap

EAVES BEAM

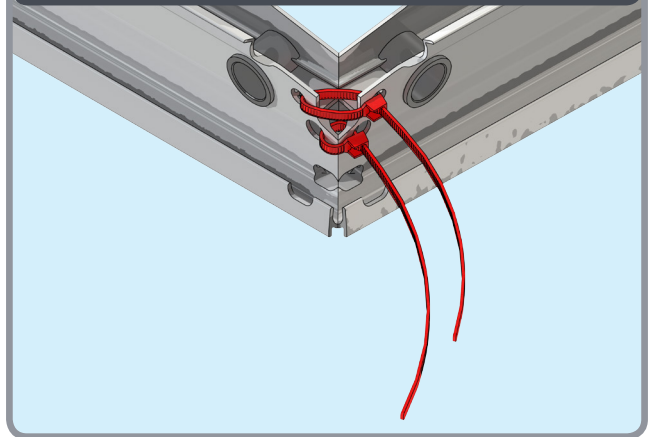
1



1 Slide together using corner brackets



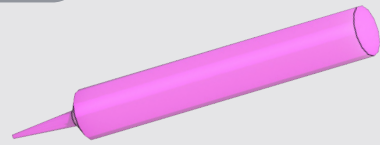
2 Temporarily secure corners with tie-wraps



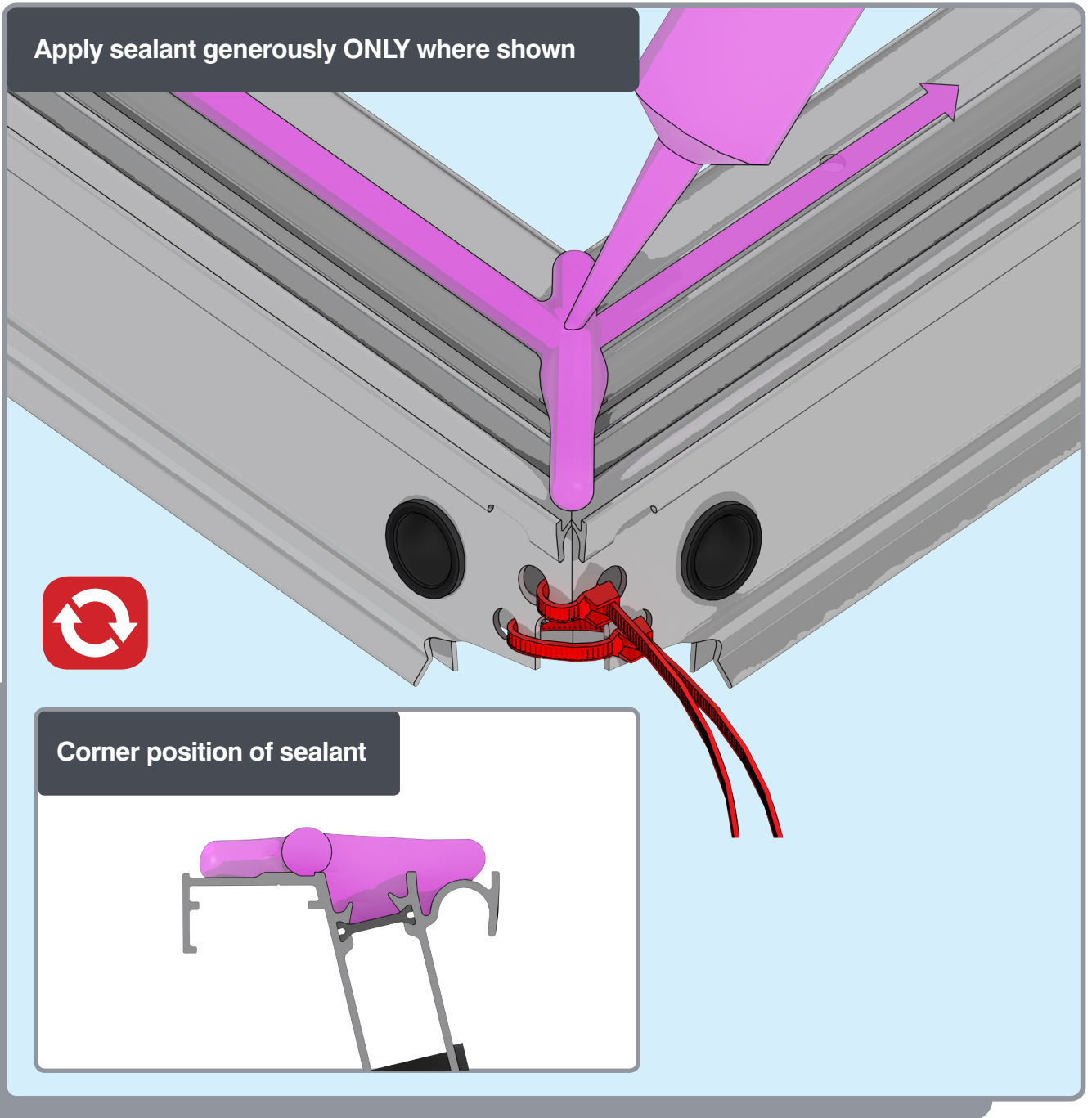
Ensure corner is closed up tightly

APPLYING SEALANT

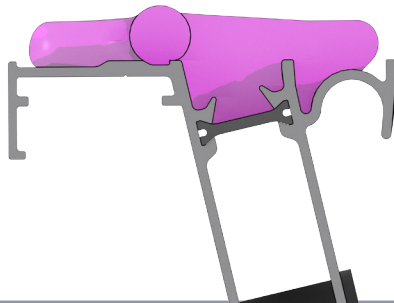
2



Apply sealant generously **ONLY** where shown



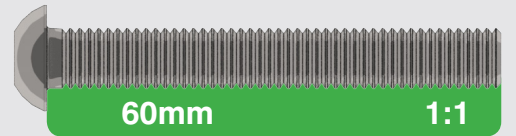
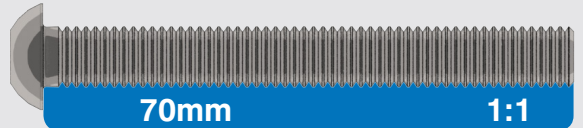
Corner position of sealant



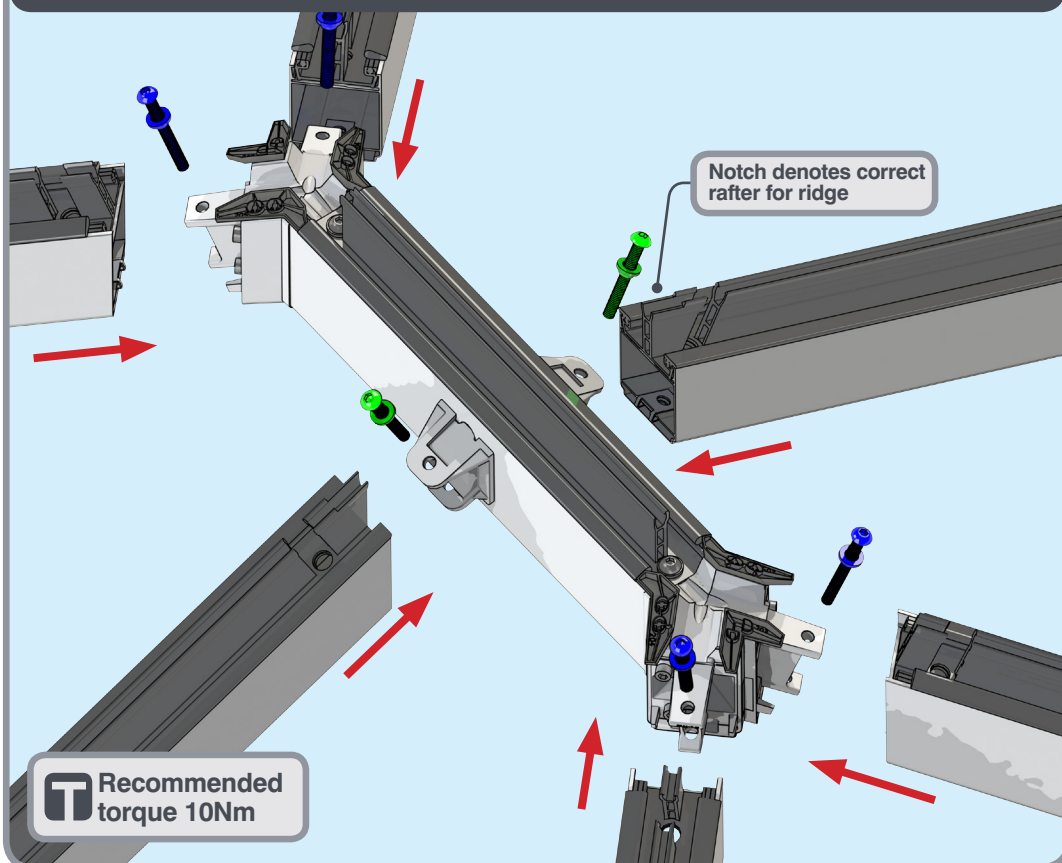
- **DO NOT** screw down yet
- Only apply sealant where indicated

SPIDER ASSEMBLY

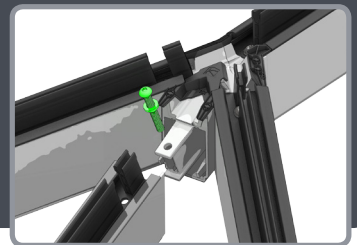
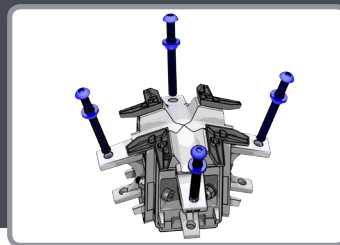
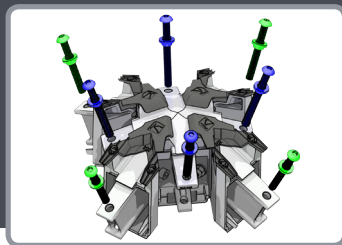
3



- 1 Secure hips to boss using **70mm bolts** and tapered washers.
- 2 Secure rafters using **60mm bolts** and tapered washers.



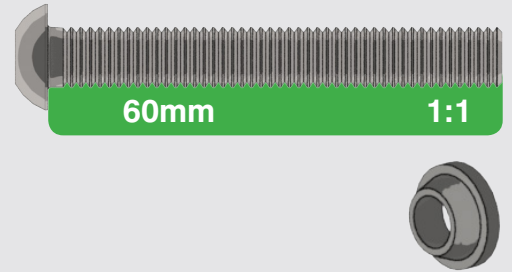
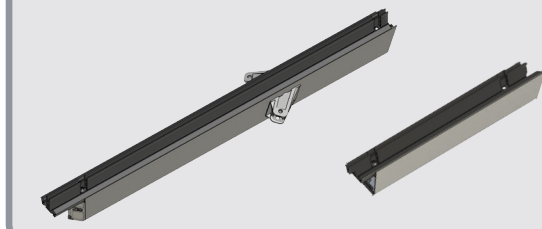
Boss variations



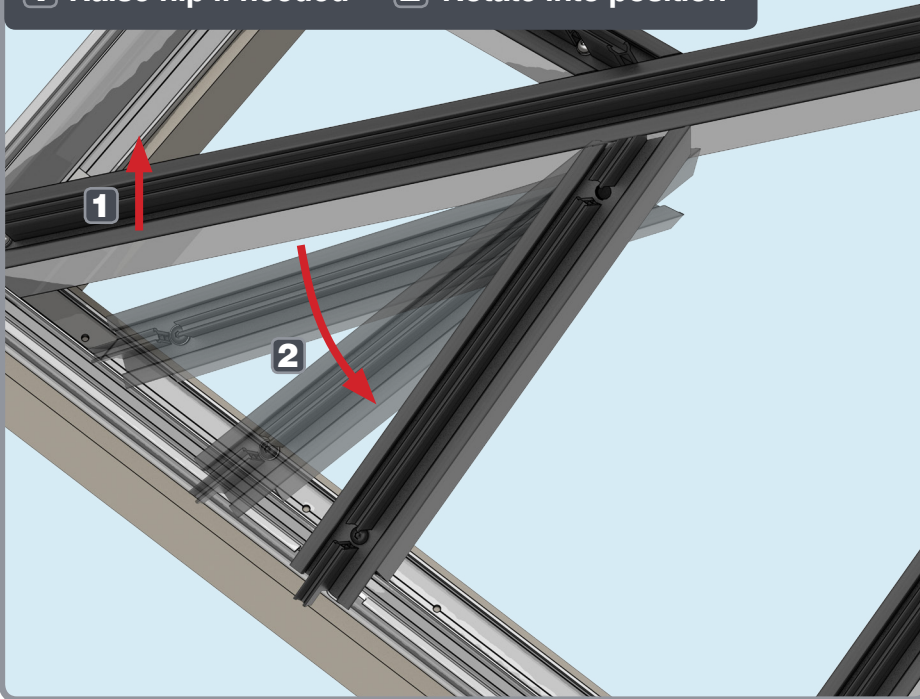
Ensure correct size bolts and tapered washers are used

JACK RAFTERS (OPTIONAL)

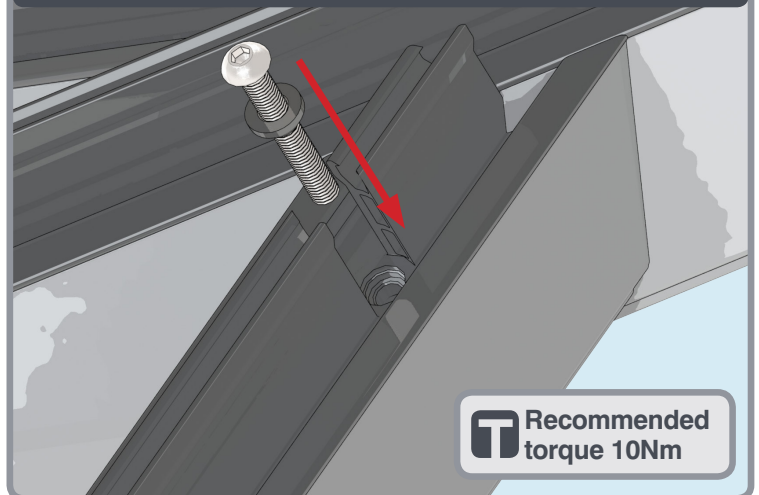
4



- 1 Raise hip if needed
- 2 Rotate into position



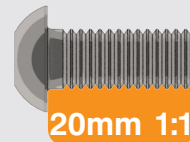
- 2 Secure using 60mm bolts and tapered washers.



Ensure correct size bolts and tapered washers are used

ATTACHING SPIDER

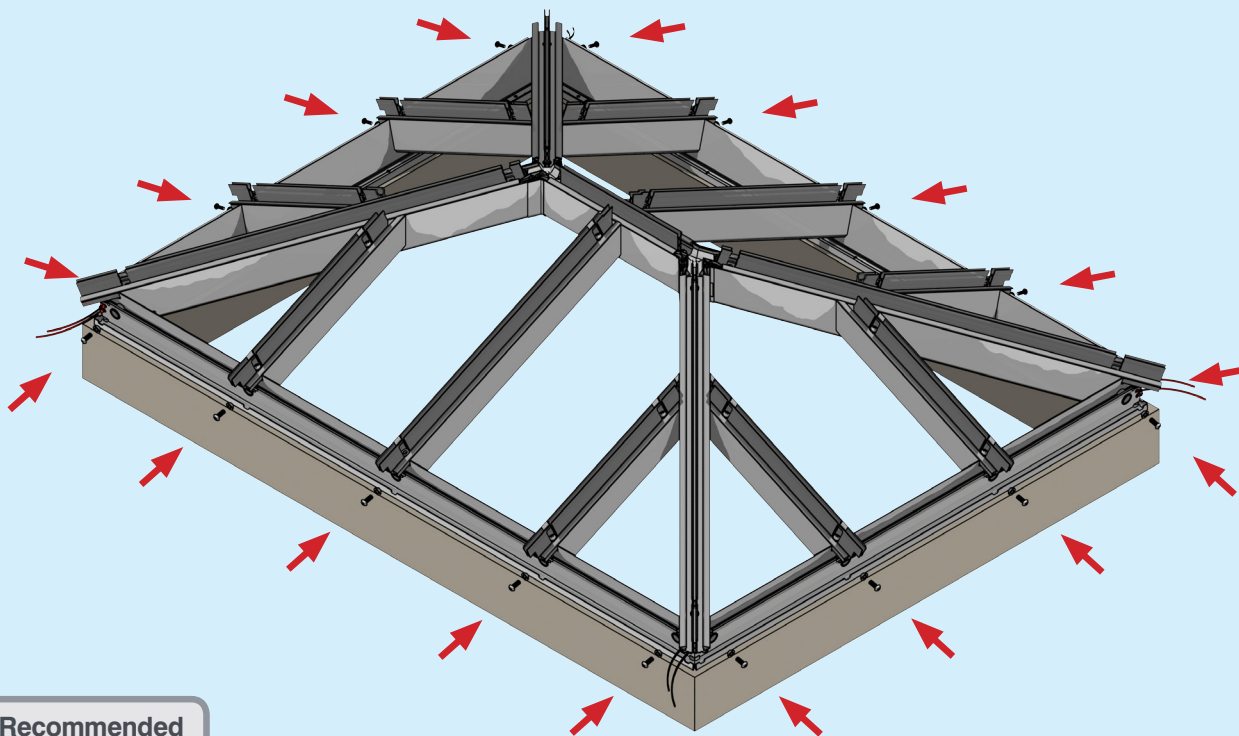
5



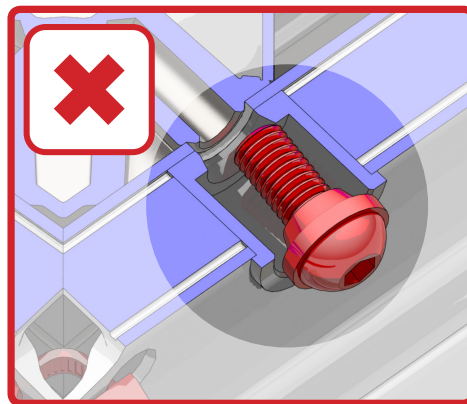
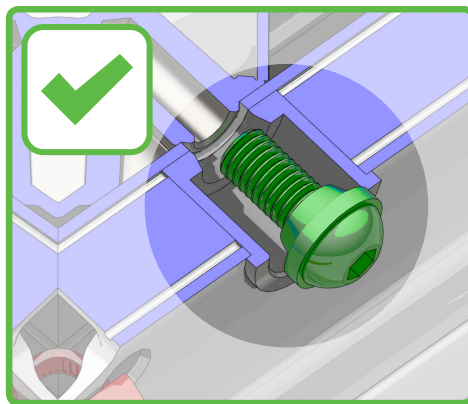
1 Loosely fit all 20mm bolts

2 Tighten bolts fully

3 Remove tie wraps



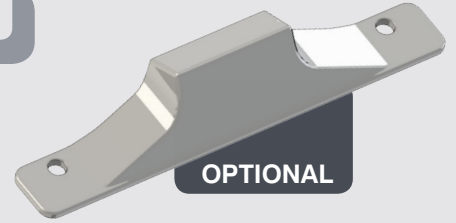
 Recommended torque 10Nm



BEWARE not to cross thread bolts when fastening

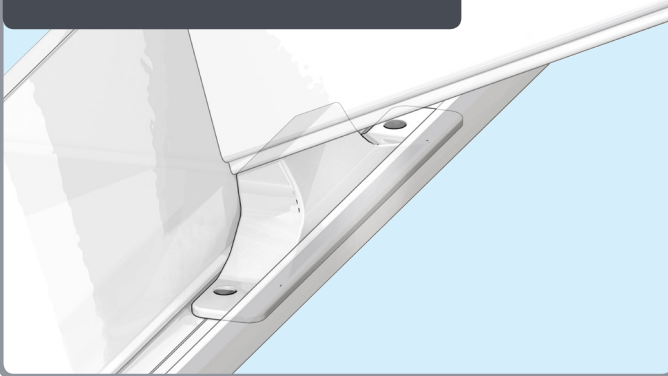
FIXING DOWN

6

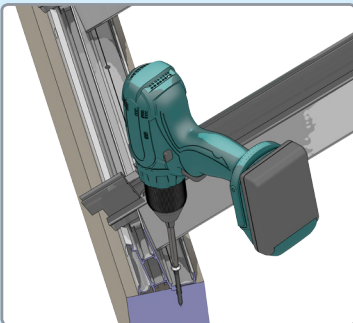
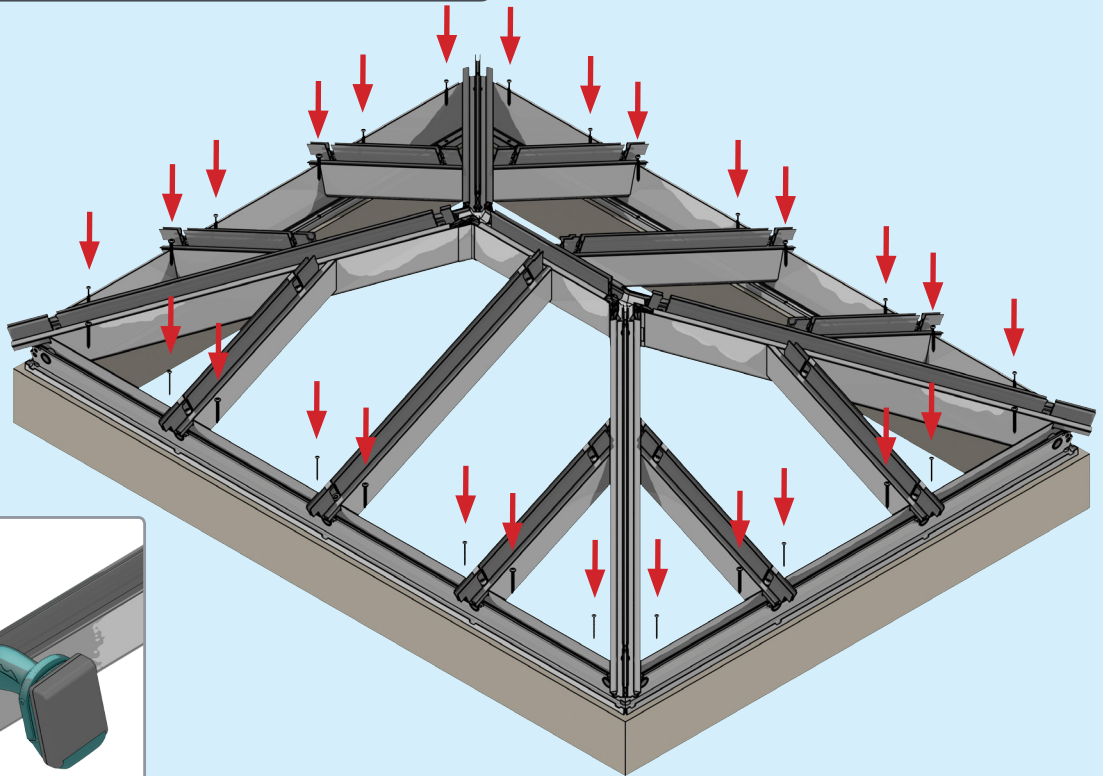


OPTIONAL

1 Position if supplied



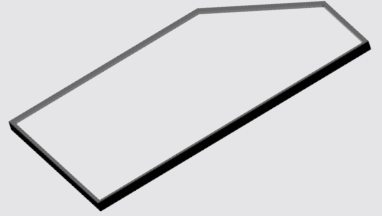
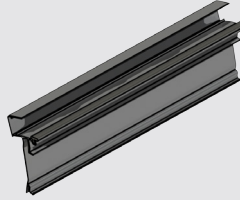
2 Fasten down through pre-drilled holes



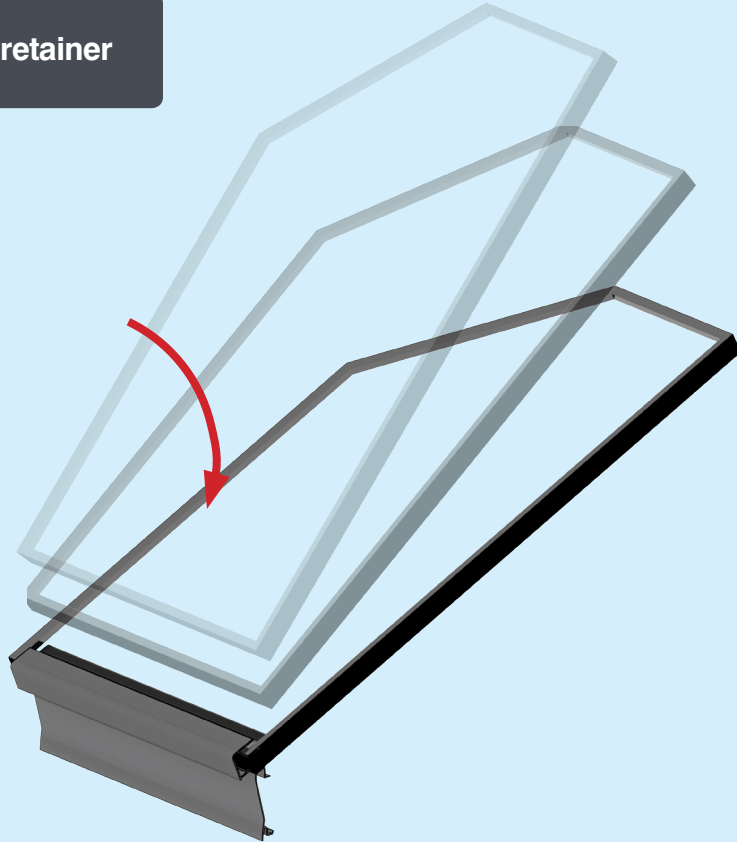
- **USE** packers under eaves beam to support each screw
- **CHECK** eaves beams are fully sealed to upstand

GLASS RETAINER

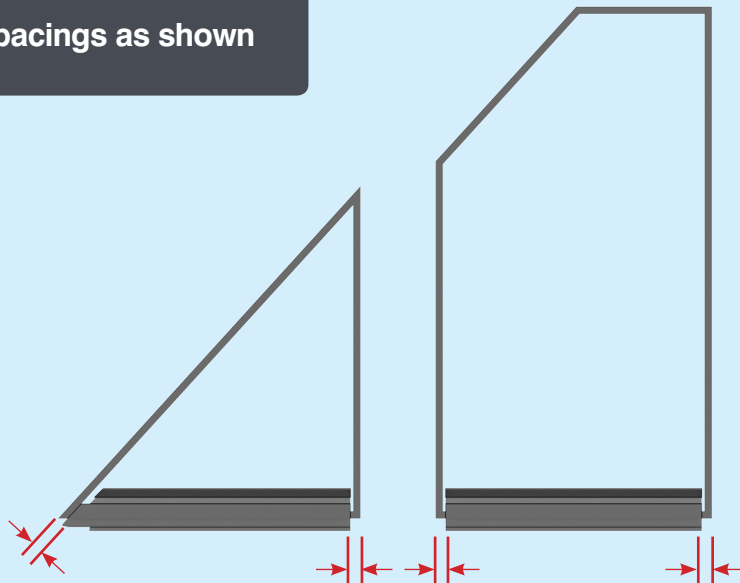
7



1 Slide glass into retainer



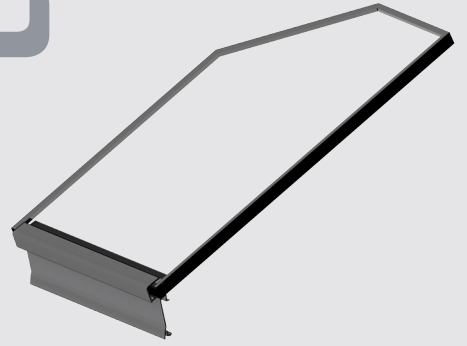
2 Set spacings as shown



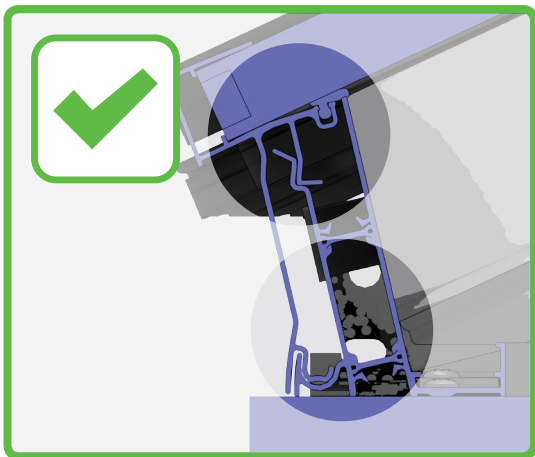
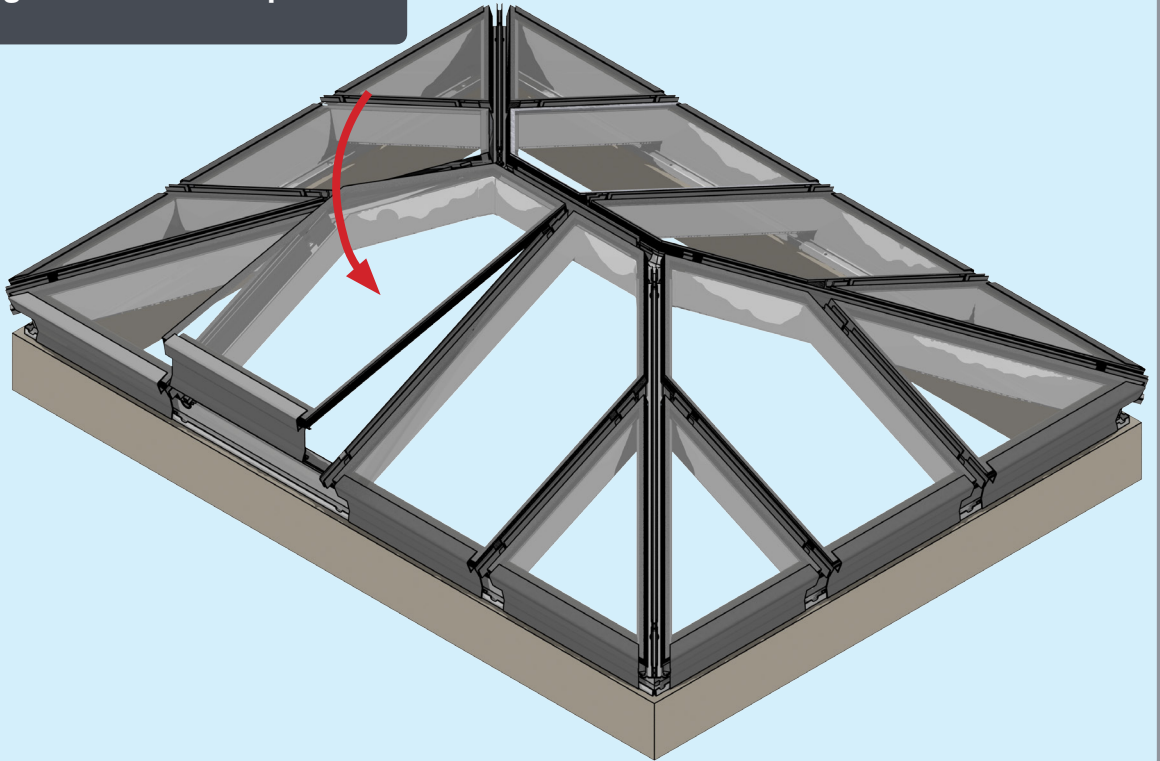
Dimensions shown
approx 15mm

GLAZING

8



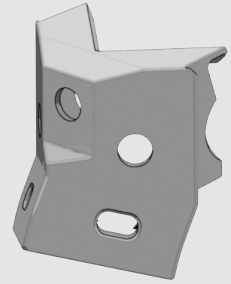
Locate top edge and rotate into position



Ensure retainer is seated as shown

HIP LOWER ENDCAP

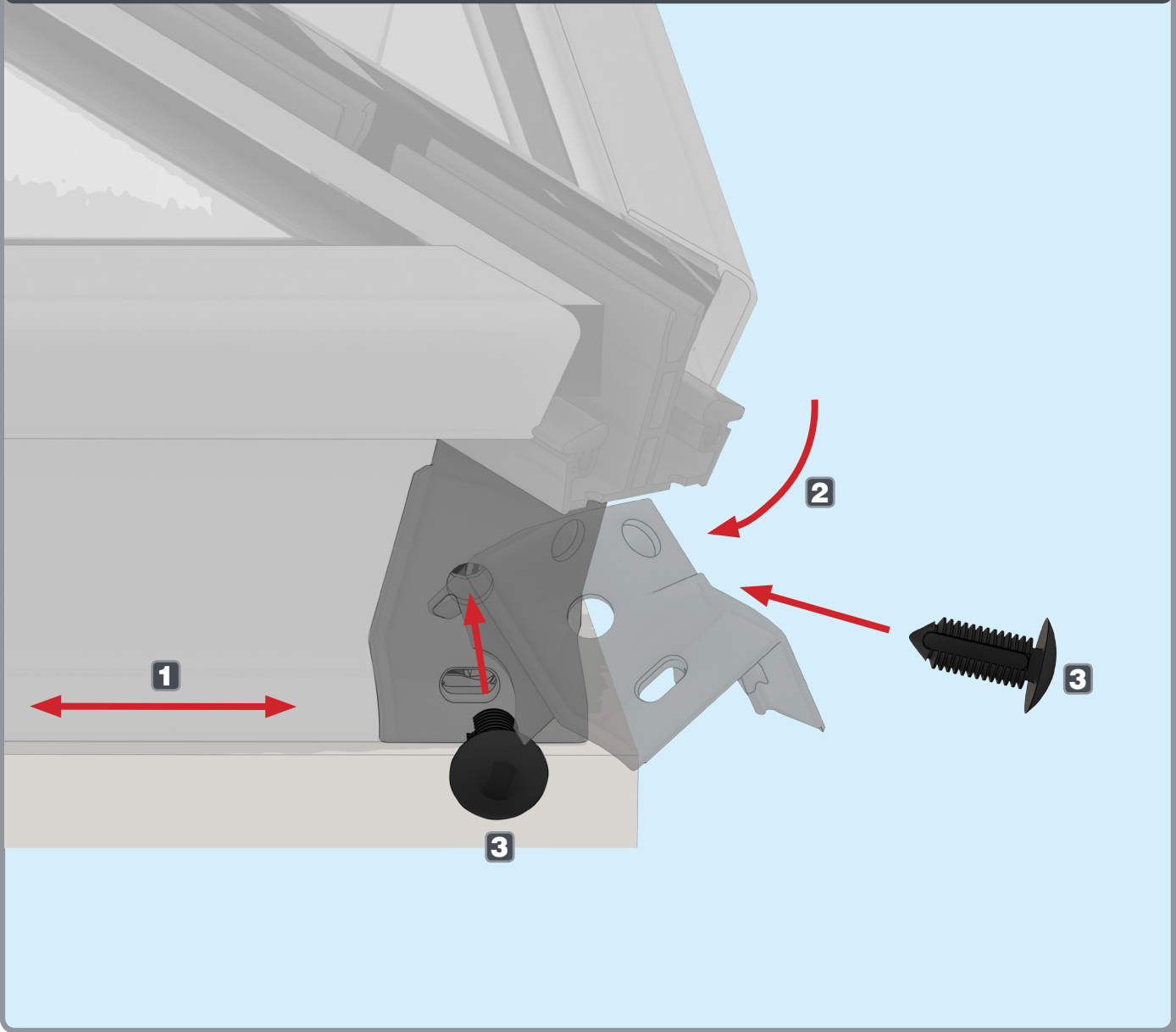
9



1 Adjust glass retainer

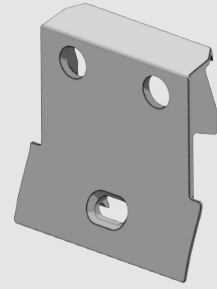
2 Rotate into position

3 Use mallet to fit clips

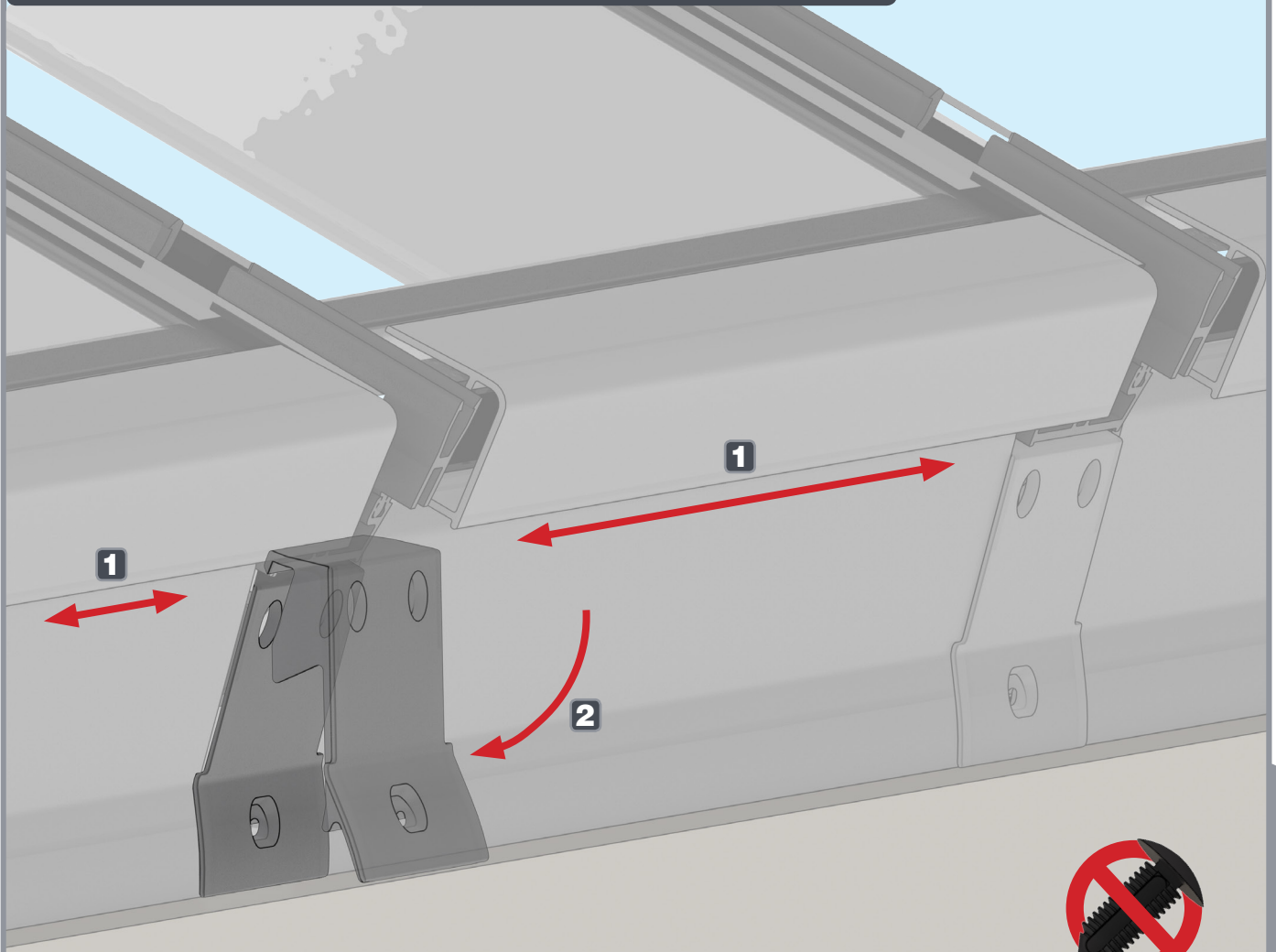


LOWER RAFTER ENDCAPS

10

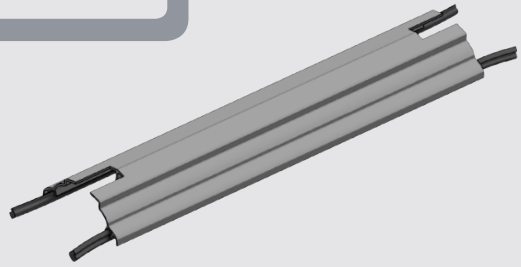


- 1 Adjust glass retainer
- 2 Rotate into position

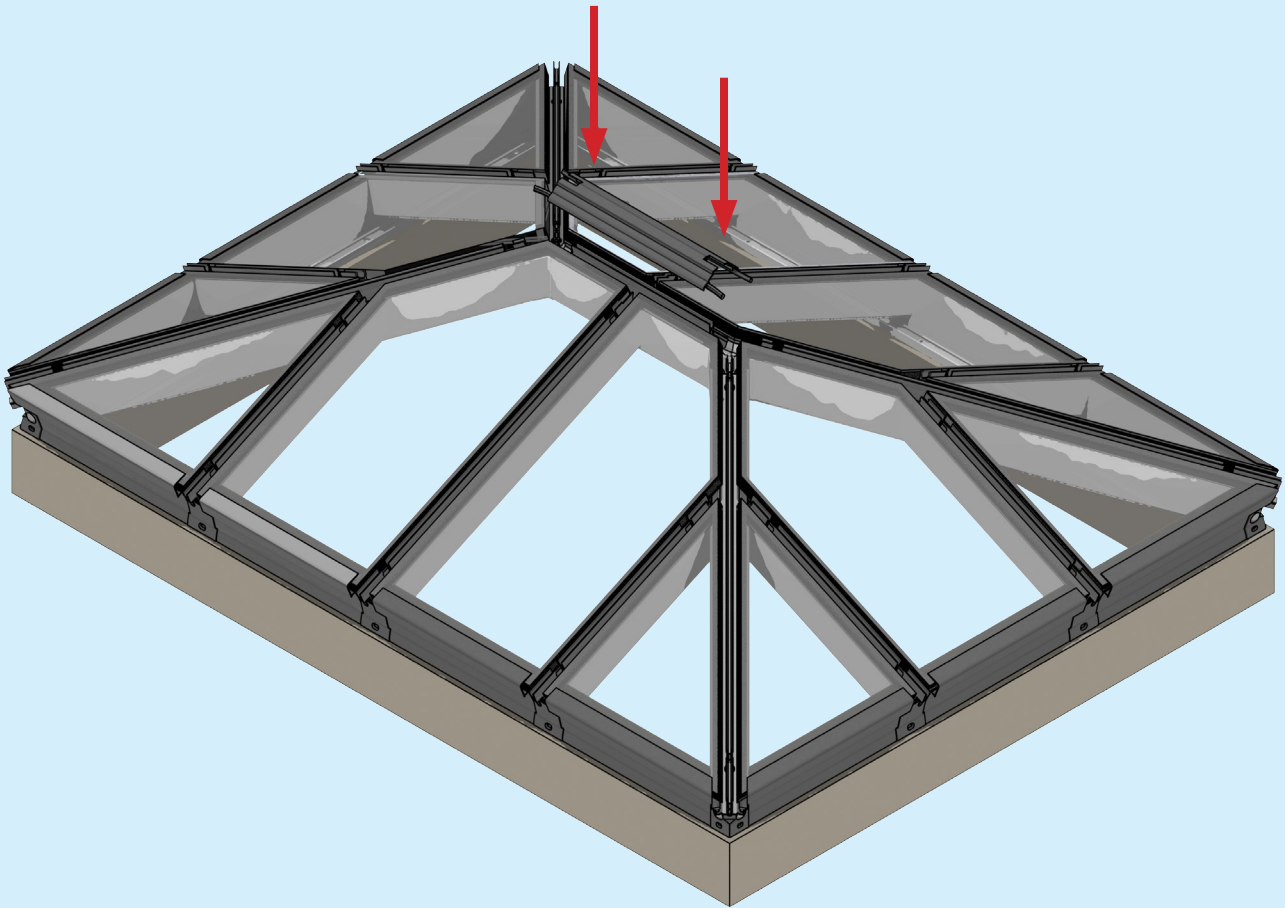


RIDGE TOP CAP

11



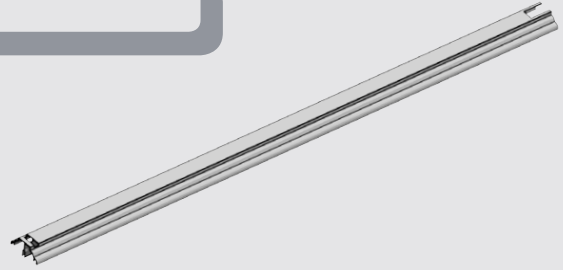
Clip top cap on to ridge and space centrally



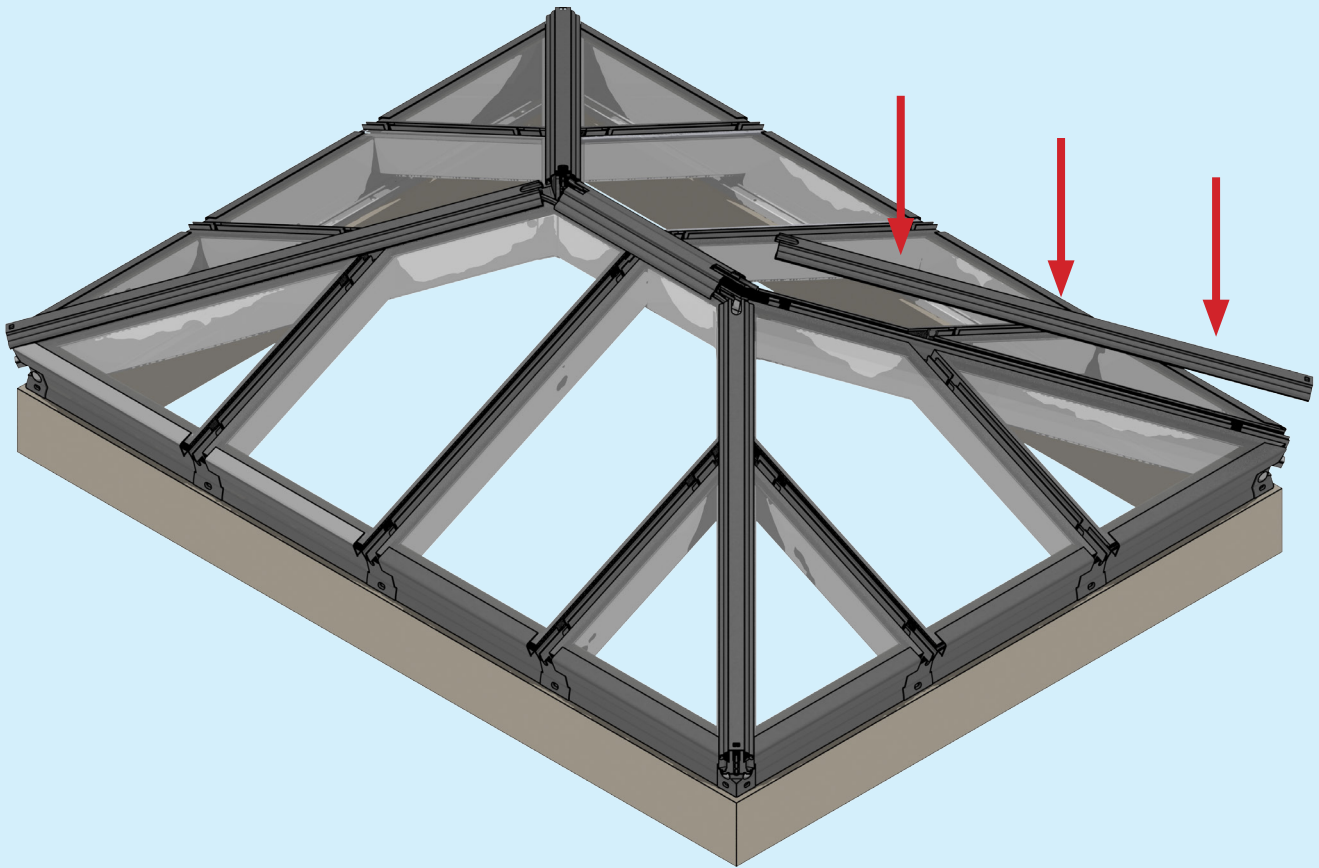
Leave gaskets overlong

HIP TOP CAPS

12



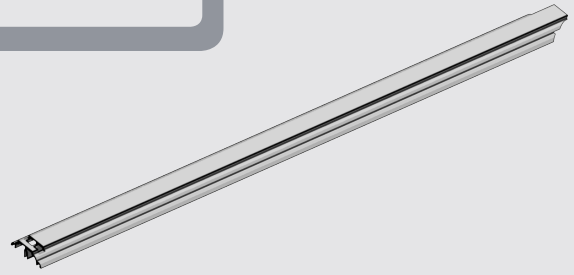
Clip top caps on to hips



Ensure top cap lower end aligns with the lower end of hip

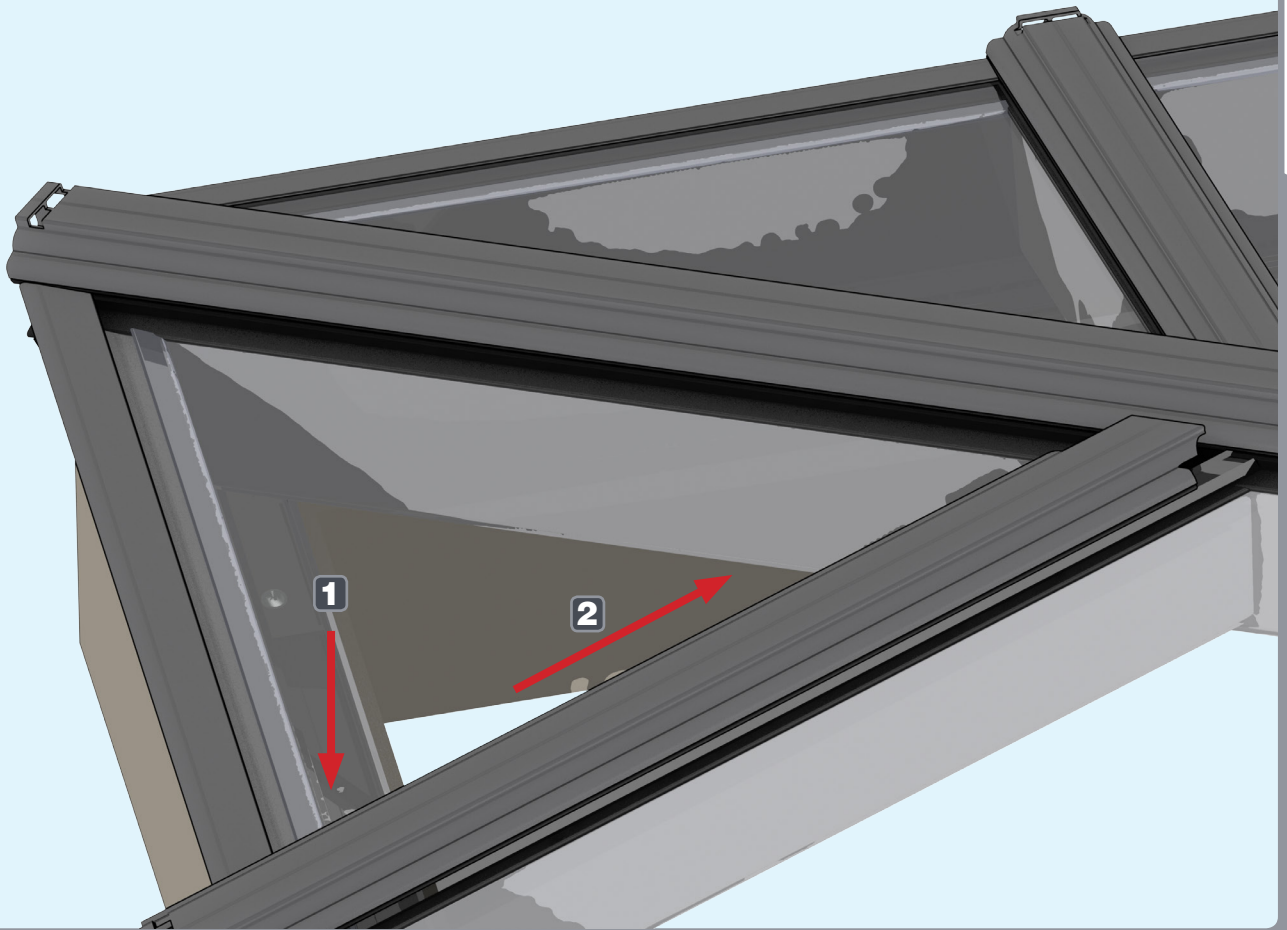
RAFTER TOP CAP

13



1 Clip top caps on to rafters

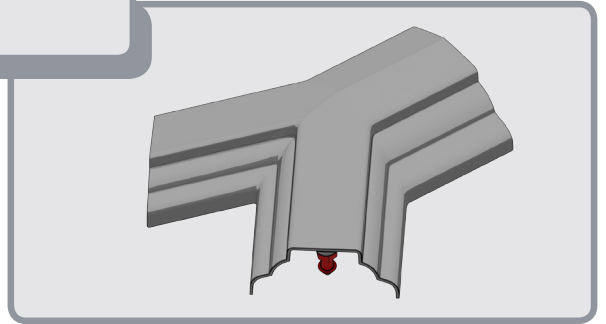
2 Tap up into position



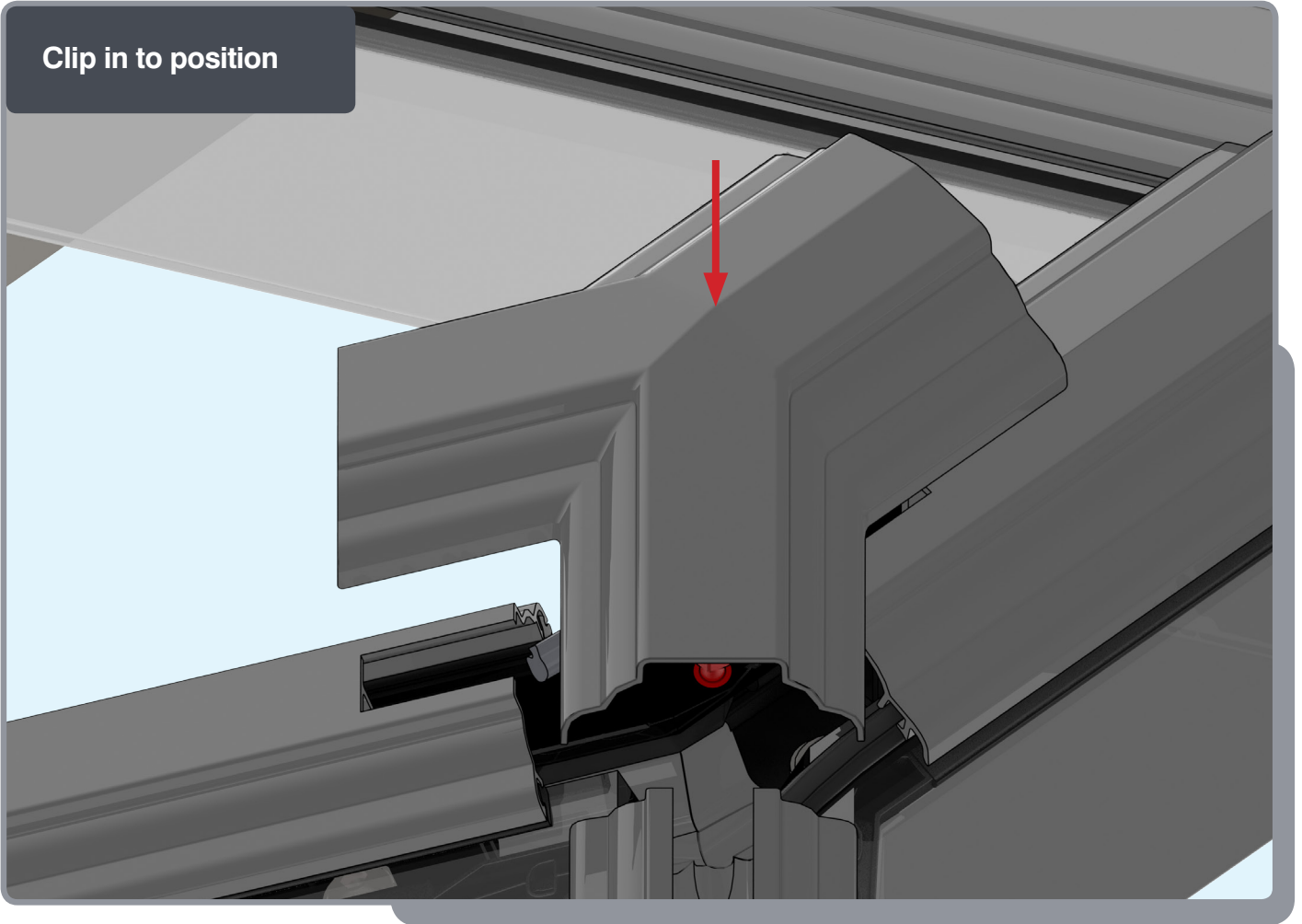
Ensure top cap lower end aligns with lower end of rafter

BOSS TOP CAPS

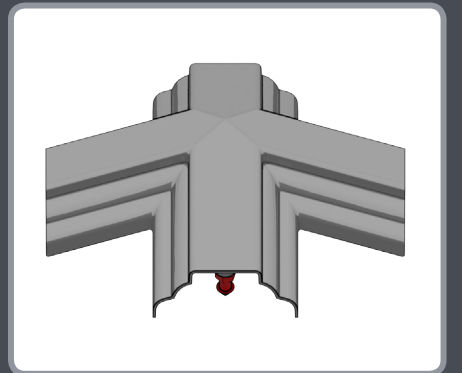
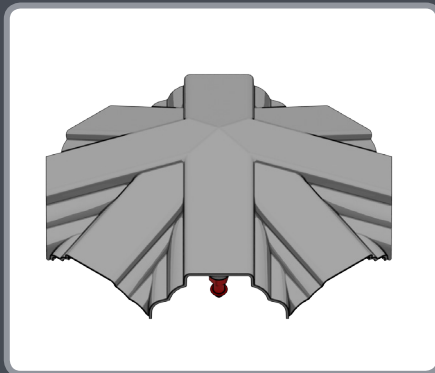
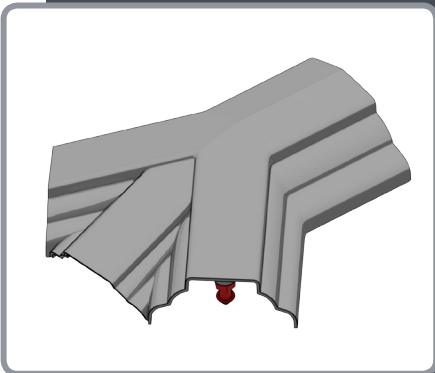
14



Clip in to position

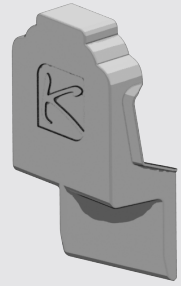


Variations

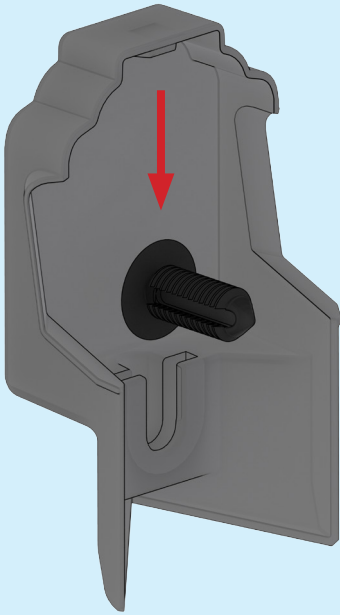


HIP UPPER END CAPS

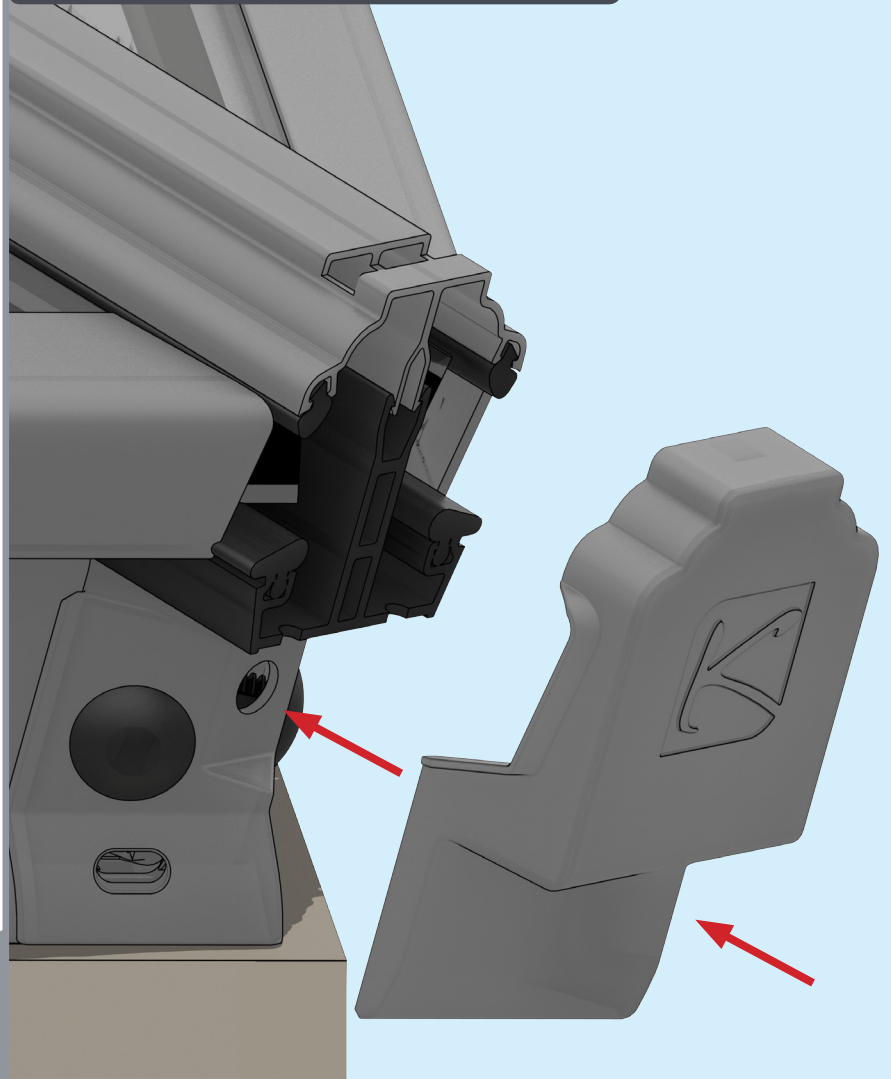
15



1 Fit fir tree clips to end caps



2 Push end caps onto ends of hips

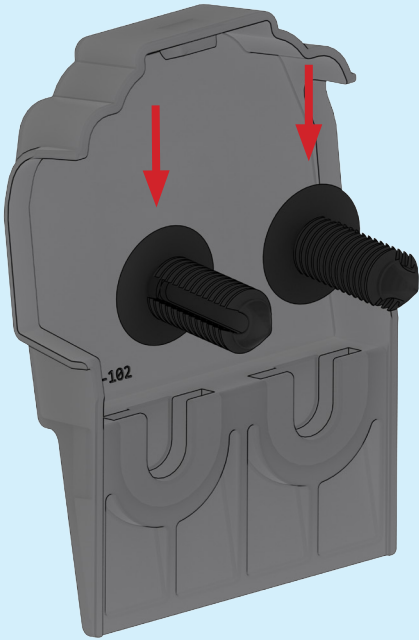


RAFTER UPPER END CAPS

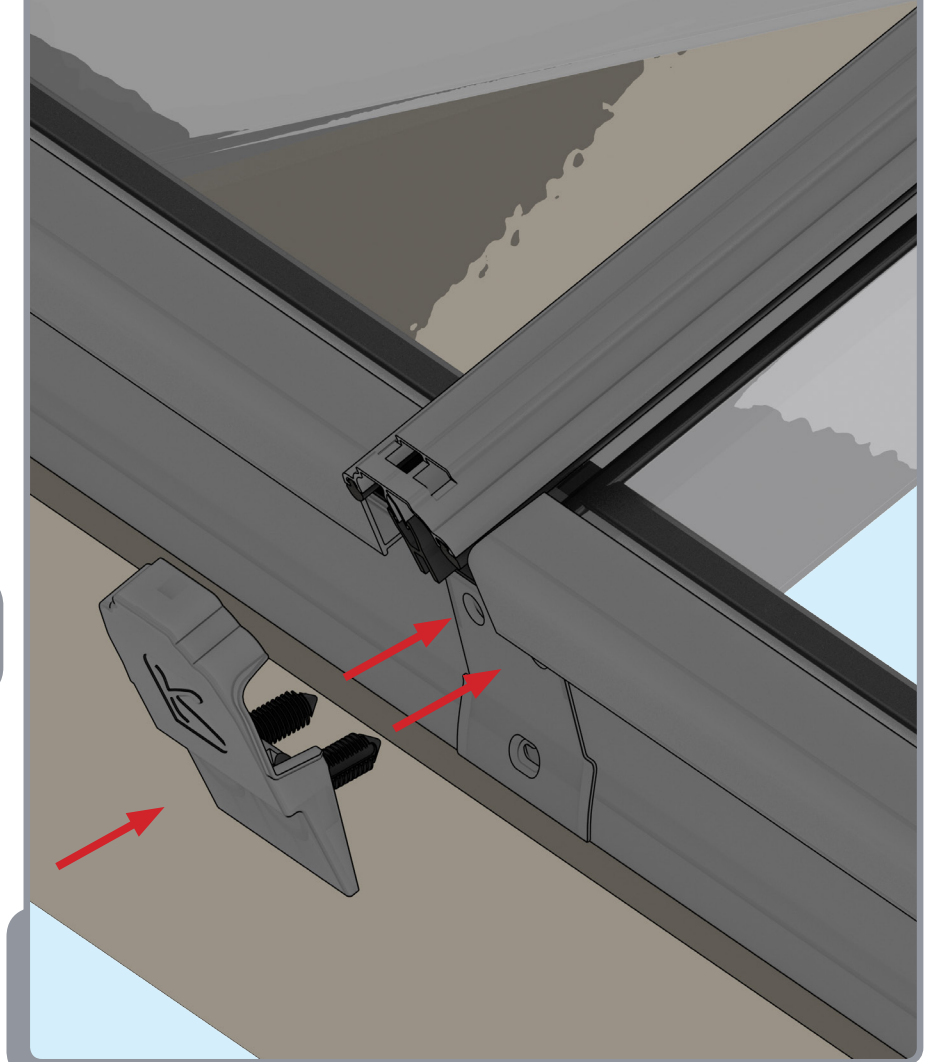
16



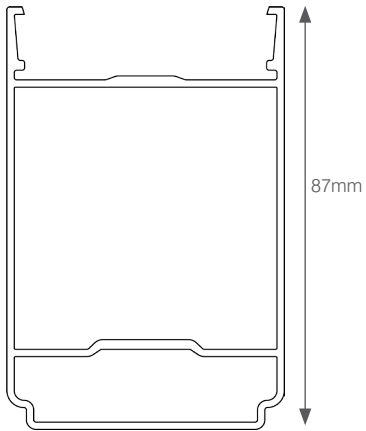
1 Fit fir tree clips to end caps



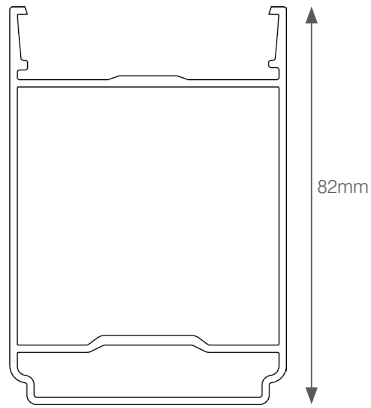
2 Push end caps onto ends of rafters



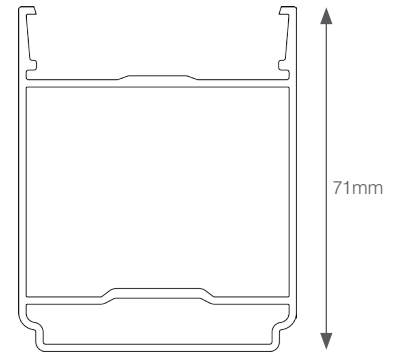
COMPONENTS LIST



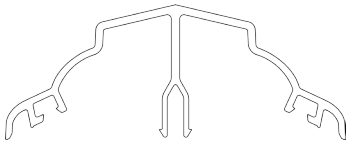
RIDGE BODY
KLP-01



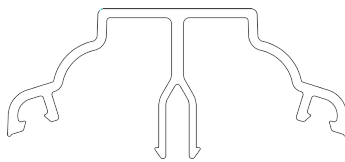
HIP BODY
KLP-02



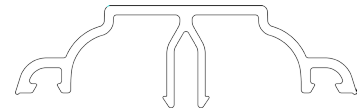
RAFTER BODY
KLP-03



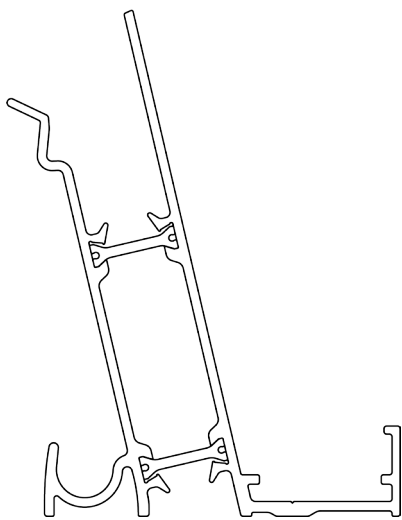
RIDGE TOP CAP
KLP-06



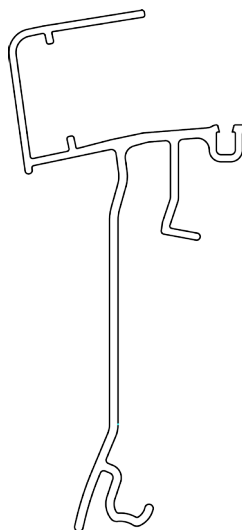
HIP TOP CAP
KLP-07



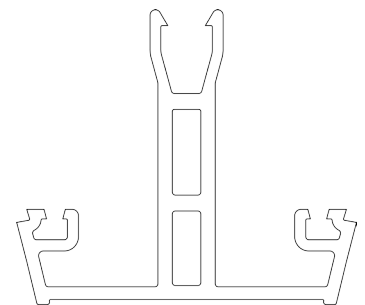
RAFTER TOP CAP
KLP-08



EAVES BEAM
KLP-05

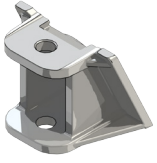


GLASS RETAINER
KLP-04



THERMAL T BAR
KLP-09

COMPONENTS LIST



RAFTER RIDGE LUG
KLC-100



RAFTER EAVES LUG
KLC-101



RAFTER OUTER
END CAP
KLC-102



RAFTER INNER
END CAP
KLC-103



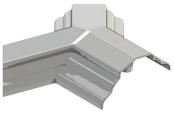
HIP OUTER END
CAP
KLC-105



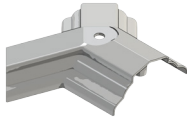
HIP INNER
ENDCAP
KLC-106



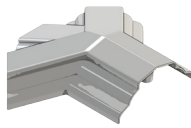
HIP EAVES
LUG
KLC-107



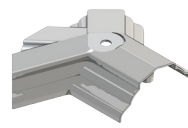
2 WAY BOSS
TOP CAP
KLC-108



2 WAY BOSS TOP CAP
FOR FINIAL
KLC-108/F



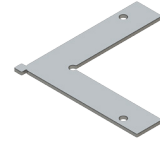
3 WAY BOSS TOP CAP
KLC-109



3 WAY BOSS TOP CAP
FOR FINIAL
KLC-109/F



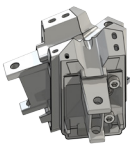
BOSS TOP
CAP PIN
KLC-110



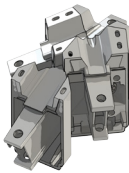
EAVES BEAM
CORNER BRACKET
KLC-111



ISOLATING
COLLAR
KLC-112



TWO WAY
END BOSS
KLC-113



THREE WAY
END BOSS
KLC-114



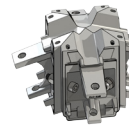
JACK RAFTER LUG
LEFT
KLC-115



JACK RAFTER LUG
RIGHT
KLC-116



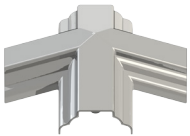
BALL FINIAL
KLC-117



B2B FOUR WAY
BOSS
KLC-119



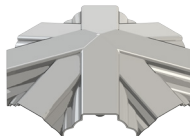
B2B EIGHT WAY
BOSS
KLC-120



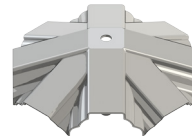
B2B FOUR WAY BOSS
TOP CAP
KLC-121



B2B FOUR WAY BOSS
TOP CAP FOR FINIAL
KLC-121/F



B2B EIGHT WAY BOSS
TOP CAP
KLC-122



B2B EIGHT WAY BOSS
TOP CAP FOR FINIAL
KLC-122/F



RAFTER
SUPPORT BLOCK
KLC-123



CHIMNEY
NUT M8
KLF-300



EAVES BEAM
SCREW
KLF-301



BOLT M8 X 70
KLF-303



TAPERED
WASHER M8
KLF-304



BOLT M8 X 60
KLF-305



FIR TREE CLIP
KLF-306



BOLT M8 X 20
KLF-307



SERRATED
FLANGE NUT M8
KLF-311



TIE WRAP
KLF-315



EAVES BEAM / T-BAR
QLON GASKET
KLG-200



TOP CAP QLON
GASKET
KLG-201



BOSS CENTRAL
GASKET W/CENTER
RAFTER **KLG-202**



BOSS CENTRAL
GASKET
KLG-203



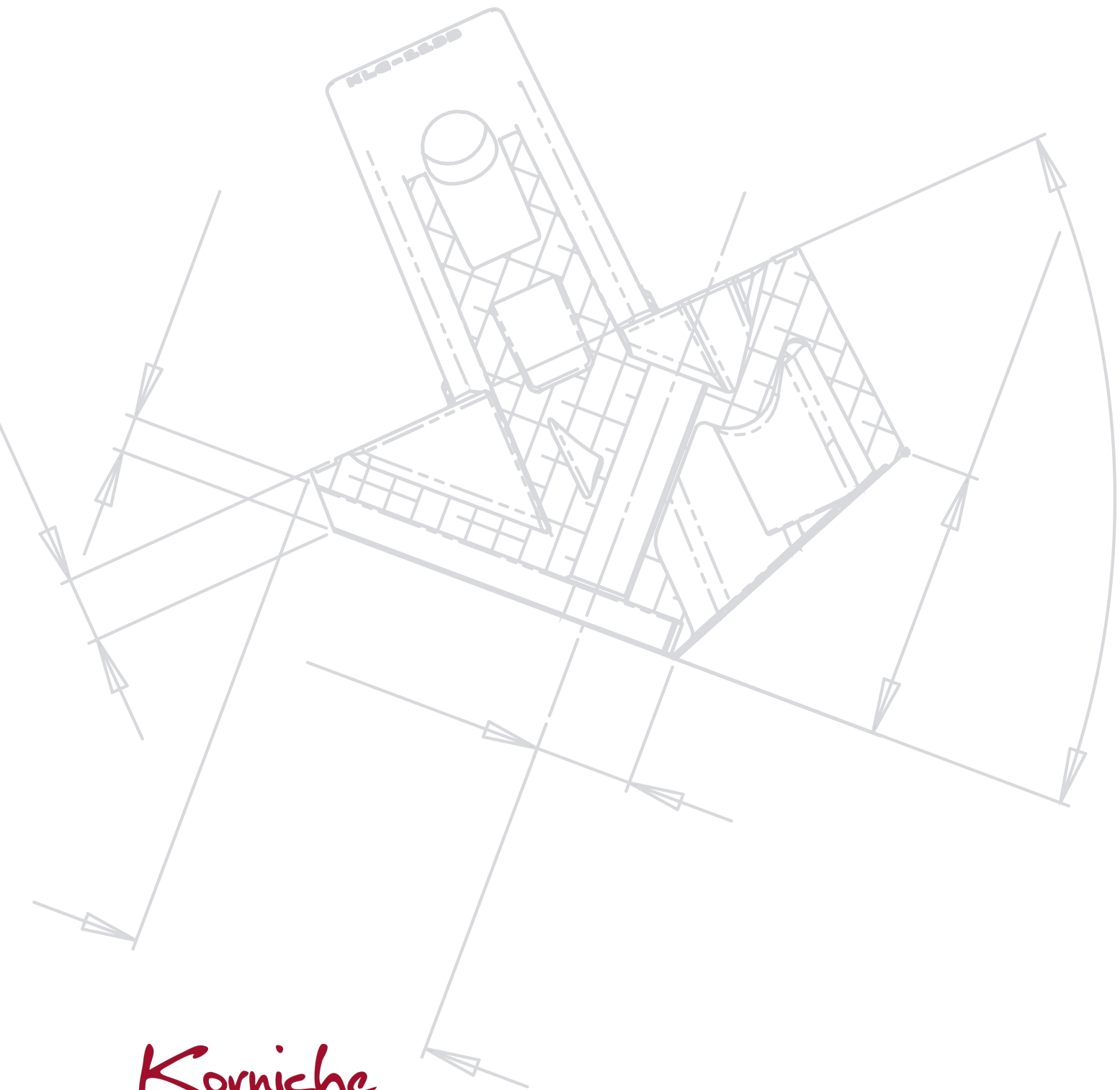
BOSS LEFT
GASKET
KLG-204



BOSS RIGHT
GASKET
KLG-205



HEX TOOL
KLT-01



Korniche



FOLDING DOORS 2 U

foldingdoors2u.co.uk

01621 834123