

Timberlook Flush Sash in Painswick (RAL 7038)



TIMBERLOOK FLUSH SASH

— HERITAGE WINDOW —

AVAILABLE IN A RANGE OF CAREFULLY
SELECTED COLOURS AND FINISHES TO
COMPLEMENT BUILDINGS OF ANY AGE

“Accepted as a variation on Condition 11, they are considered to successfully mimic traditional flush casements, and care has been taken over details such as the cill and trickle ventilation...”

*Heritage Officer,
Cotswold Council*





Whether you are undertaking a conservation scheme, new build home, or renovation, The Timberlook Heritage Flush Sash Window System is an ideal choice for any project.

Timberlook is a PVCu window system that successfully replicates traditional and heritage designs, making it ideal for historic and conservation projects. Our flush sash windows are also suitable for modern living, as they are energy-efficient and virtually maintenance free.



2 WELCOME

4 TRADITION *and Heritage*

6 TECHNOLOGY *behind Timberlook*

8 THE BEST *of both worlds*

12 CILLS *The Radlington*

14 FLUSH DOOR *a new system*

16 CONSERVATION *& Planning*

20 NEW BUILD *Projects*

22 FINISHING *Touches*

24 COLOURS *the Timberlook Collection*

26 COMPLETING *the Look*

TRADITION

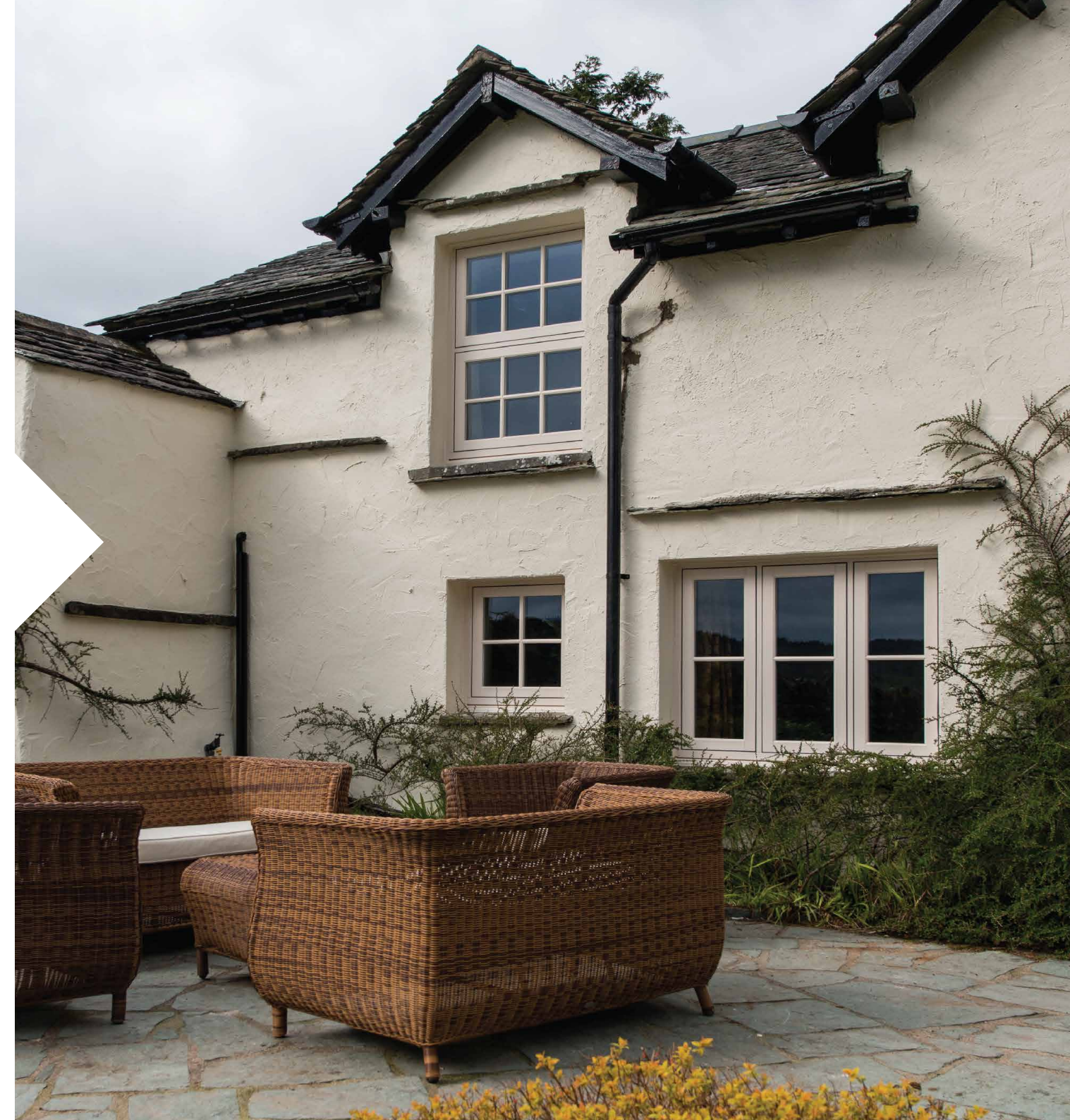
Combined with Modern Technology

Technology and materials have been moving forward and developing at a fast pace, creating more energy-efficient windows, with greater longevity, higher security, and better recyclability. We feel that taking a look back occasionally has its merits too. It enables us to preserve the look and feel of our architectural heritage, and to make the most of those designs and aesthetics that were perfected long ago.

Our Timberlook PVCu Flush Sash windows are virtually indistinguishable from timber, yet have significant advantages. They are undoubtedly more affordable than real wood, and can have a significant impact on the the comfort and appearance of any property. Those advances in materials and the manufacture process also mean that their insulation performance is better than ever, while being easy to maintain.



**Timberlook Flush Sash in Cream Foil
with Premium Heritage Furniture**



As beautiful as real timber is, it can swell and shrink, or can warp and twist, depending on the weather. Wooden window frames are expensive to buy, and need ongoing care and attention. The cost and time taken to preserve their appearance soon adds up. Timberlook Heritage Flush Sash Windows simply do not need that maintenance.

The flush exterior finish, with square mortise & tenon looks, mimics traditional casement designs. Timberlook boasts a refined internal decoration, marrying modern technologies with traditional looks.

Timberlook is an ideal choice for any home or building, with a wide selection of period colours and wood-effect finishes, including woodgrains and textured foils. These colours also include a Smooth Anthracite 7016 Grey finish which matches the most popular aluminium bi-fold door colour.



TECHNOLOGY

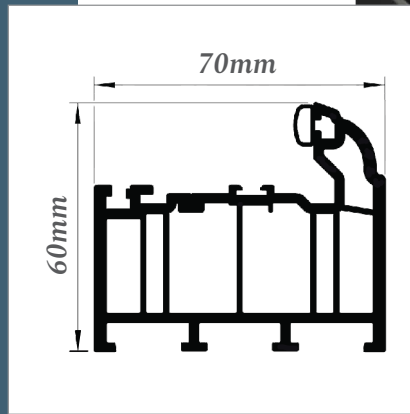
Timberlook is a the new PVCu Flush Sash Window System that boasts a square mortise & tenon looking fabrication for both the sash and the outerframe. This replaces the tell-tale mitred joints that would normally identify a window as being fabricated from PVCu.

Additionally, the Timberlook Flush Sash has a 70mm back to front frame size to make your installation fast, a slim 60mm sash to replicate a timber sash, and a night latch as standard.

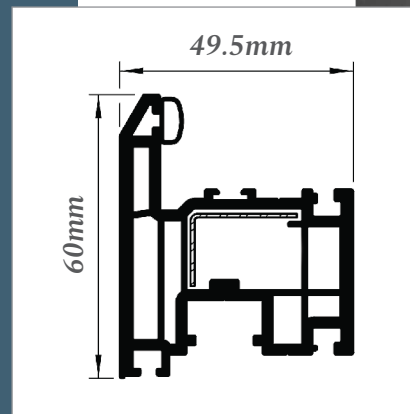
It is possible to further recreate those original and heritage styles with our 'Cottage Bar' or astragal bar, which measures 22mm. The glazing bars are mounted onto the surface of the glass to maintain the thermal efficiency of the glazing unit - while also preserving the traditional look of the window.

With features such as an optional deep bottom rail and concealed external trickle ventilation, The Timberlook Flush Sash is virtually identical to the most expensive flush sash timber windows.

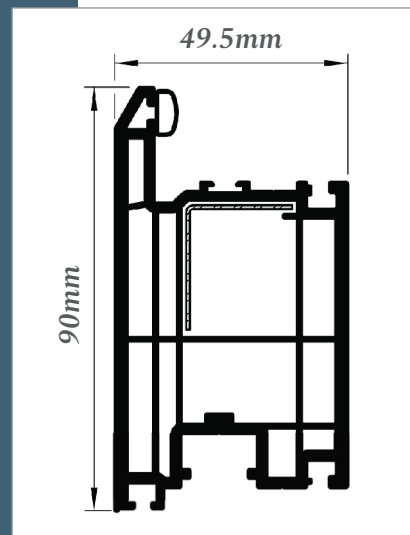
When trickle ventilation is required, it is usually rather unsightly externally. We don't believe in spoiling the appearance of your window or property - if your project includes trickle ventilation, extended cover vents can be concealed by a head drip on the Timberlook outerframe.



Outer Frame



Flush Casement



Deep Bottom Rail



Timberlook Concealed Trickle Ventilation

Dual Setting Night Vent

Unique to the Timberlook Flush Sash Window is a dual setting for night ventilation.

Timberlook Flush Sash Windows are supplied with high performance security systems. The espganolette and striker provide an effective, secure locking system with a smooth closing action.

As a **Secured by Design** approved product, it meets PAS024:2012 with ease and is perfect for flush fitting windows.





THE BEST OF BOTH WORLDS

Timberlook windows have the perfect combination of a traditional appearance and look, with modern technology, manufacture, and materials - offering you the best of both worlds.

Beautiful, accurately recreated, timber heritage windows with all the benefits of the most up-to-date PVCu products. Put simply, we re-designed the wooden window for the 21st century.

Flush sash windows can be found in buildings from all periods, owing to their refined simplicity. The understated and minimal appearance fits perfectly in contemporary properties too. It is now possible to get the character look you want from a thermally efficient and secure window. Tradition working with technology.

Timberlook Flush Sash Windows are made in Great Britain by one of the largest fabricators of PVCu & Aluminium window and door systems. Our designers and manufacturing experts draw on many years of combined knowledge and experience to develop innovative solutions like the Timberlook system - maintaining respect for the architecture of the past while preparing buildings to last well into the future.







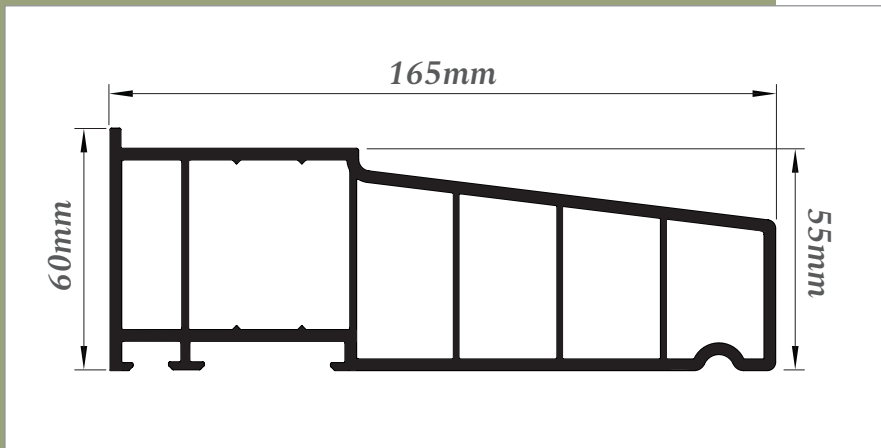


Timberlook Flush Sash windows look amazing with the contemporary shallow cill that comes as standard. We feel, however, that The Radlington Cill is one accessory that you simply must consider adding.

Old imperial bricks varied in height while metric bricks measure 65mm. Old timber cills were deep and often aligned with a course of bricks. The Radlington Cill, at 55mm, is a modern interpretation that allows for packing expansion, baypole jacks, and irregular mortar. When replacing traditional timber windows, installation becomes easier and the result more authentic. The Radlington Cill would also help create that traditional and character look in a new build property.



The Radlington Cill



The Radlington Cill is a deeper nosed cill at a height of 55mm. It is a modern interpretation of the sort of timber cill found on older traditional timber windows and is a superior upgrade to the standard cill available. Choosing to add the Radlington Cill will make your windows really stand out.



TIMBERLOOK FLUSH DOOR

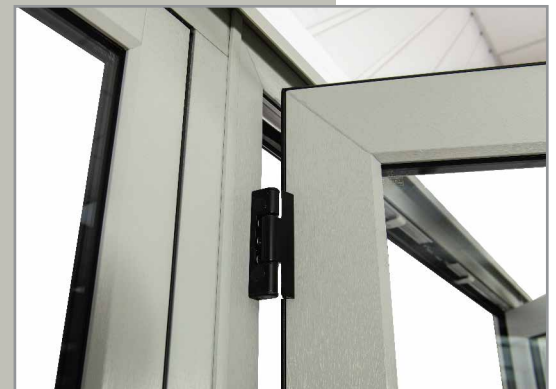
A door system that perfectly complements the Timberlook Heritage Flush Sash Window.

Careful to match the look and feel of our traditional PVCu window, the Flush Door is available in the same colour palette and with furniture that mirrors the *Standard* and *Premium Regency* ranges available with Timberlook windows. Our open-out doors are fitted with discreet hinges to maintain the heritage aesthetic.

The manufacture of the Flush Door differs slightly from that of the window. In order to provide the extra strength required by the larger glass unit sizes in a door, we use a discreet diagonal weld. Every effort has been made to ensure that this does not detract from the overall style, making Timberlook the ideal option for your whole building or renovation project.

All doors must open out, but can be fitted with astragal bars, while taller apertures may have a fanlight. Please speak to your local specialist installer to learn more.





CONSERVATION & PLANNING

When we designed Timberlook Flush Sash Windows, we were careful to consider all aspects of Article 4 Conservation Area Guidelines for windows. We have combined those design principles with the latest technology and the most convenient and cost-effective materials.

Timberlook Flush Sash windows are modern, thermally efficient, secure and, most importantly, preserve the traditional look of your property.

Timberlook Flush Sash Windows can meet local authority conditions for use in conservation areas and were recently accepted by Cotswold Council for a large project in Tetbury:

“Accepted as a variation on Condition 11, they are considered to successfully mimic traditional flush casements, and care has been taken over details such as the sill and trickle ventilation...”

Heritage Officer, Cotswold Council





What is Article 4?

Article 4 directions are made by a local planning authority. They restrict normal permitted development rights and mean that a planning application would be needed for any development work. Sometimes, the use of modern materials could be restricted, including window systems if they are not appropriate. The local authority will consider their shape, size, and overall aesthetic.

Timberlook has been specifically designed to mimic traditional and historic window designs while using a modern material. Modern materials should be accepted, provided that the window is designed with dimensions, detailing and opening mechanisms that are similar to the original windows. This is the essence of Timberlook.

Planning Permission should always be obtained from the Local Planning Authority before commencing any works.



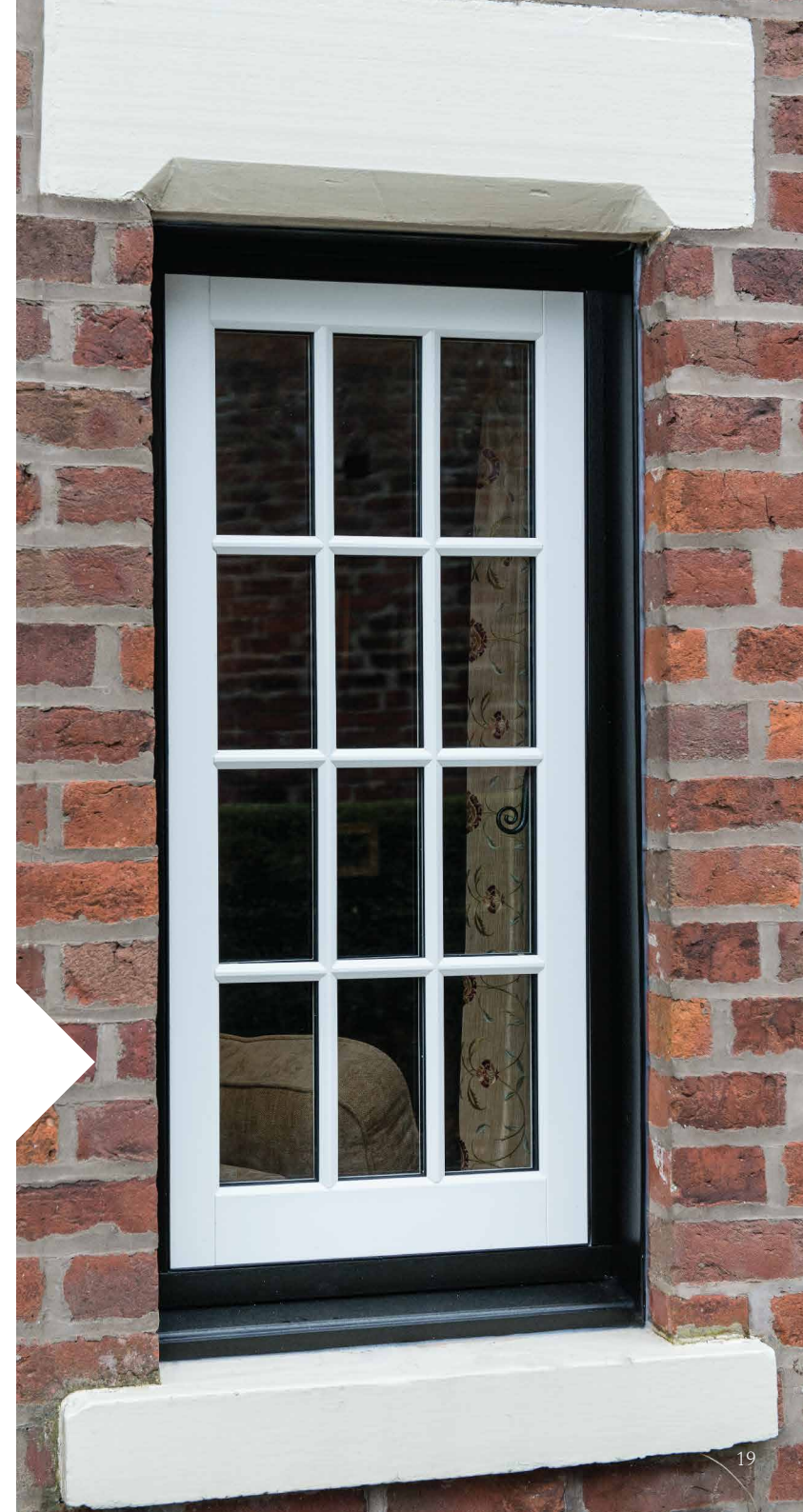
What are Listed Buildings

A listed building has been simply determined to have architectural or historic interest, and that status brings it under the consideration of local authority planning systems. It's designed to protect any special features for the future. A listed building can still be developed and renovated - special consent must be applied for if any changes to that building might affect its special interest.

It can be more difficult for you to replace windows in a listed building. Listed building consent is required from your Local Authority.

Under government planning guidance, listed buildings can be altered, extended and sometimes even demolished. The local authority uses listed building consent to make decisions that balance historic significance against issues like function and building condition.





NEW BUILD PROJECTS

When specifying windows for any new build property, it is important to remember that they will need to conform with the latest stringent building regulations. This is applicable whether you are designing a single home or a building an entire housing development.

Timberlook windows can be specified to the new Document Q standard, having passed independent testing. Both the glass and the hardware that we use are uprated, and the windows are certified to PAS24 to satisfy the building inspectorate.

These are separate standards and should be specified when discussing your project with your local installer.



A newly-built family home in Lancashire incorporating a suite of Timberlook products



Timberlook was accepted by planners for a new development in The Cotswolds



FINISHING TOUCHES



Timberlook Flush Sash windows come with contemporary handles as standard, but can be enhanced with our Premium Regency Furniture. This includes a Dummy Stay, Monkey-tail Handle or a Teardrop Handle. They are all available in a choice of finishes and feature built-in security like key-locking handles, sash locks, and child safety restrictors. Our furniture options will only enhance the authentic frame proportions and the chamfered edges that replicate putty lines.

Standard Handles

White, Gold, Satin Gold,
Antique Black, Chrome,
Satin Silver

Premium Regency Furniture

Teardrop

Antique Black, Chrome,
Satin Silver, Gold

Monkey Tail

Antique Black, Chrome,
Satin Silver, Gold

Dummy Stays

Antique Black, Chrome,
Satin Silver, Gold



a. Premium Regency
Monkey-Tail Handle

b. Premium Regency
Teardrop Handle

c. Premium Regency
Dummy Stay

Standard Handles



Premium Regency Furniture



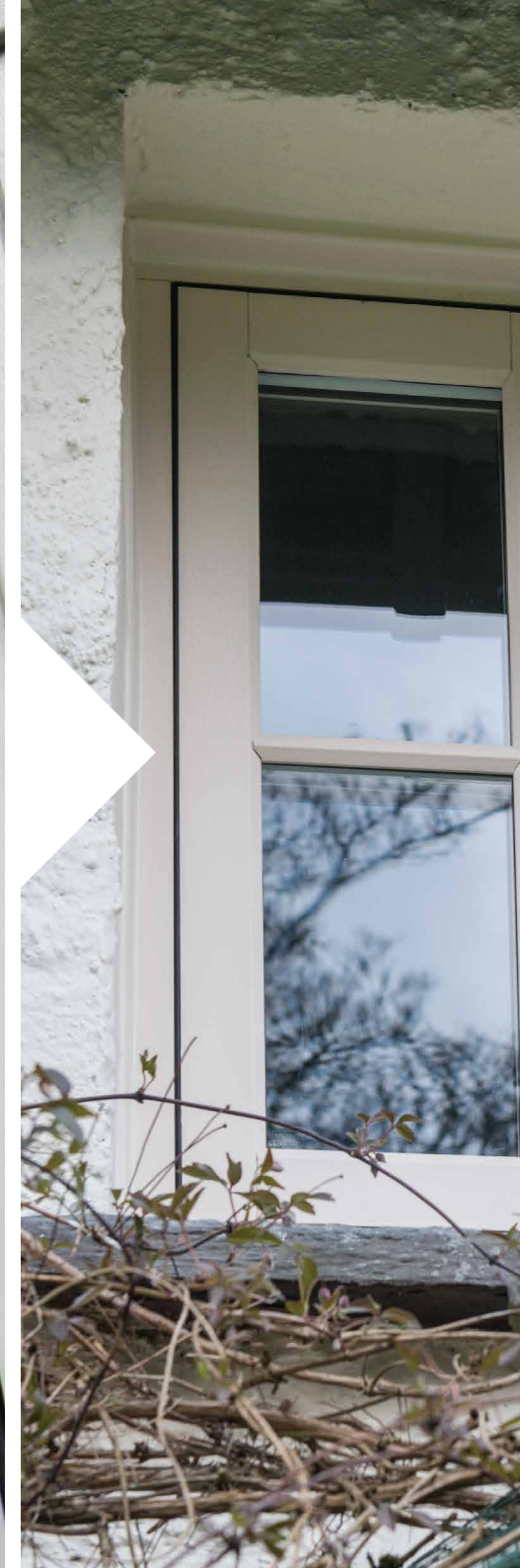
COLOURS

The Timberlook range of colours and finishes have been carefully selected to complement buildings of any age. There is something to suit any project, no matter the type of stone, brick, or mortar. Our selection of woodgrain effects include oak and rosewood.

There are grey finishes for more modern homes, including the anthracite foil that works well with modern aluminium windows and doors. Chartwell Green has always been a popular choice, but one of our favourites is the grey-green Painswick colour. We can also accommodate dual-colour options, to help match with existing decor.

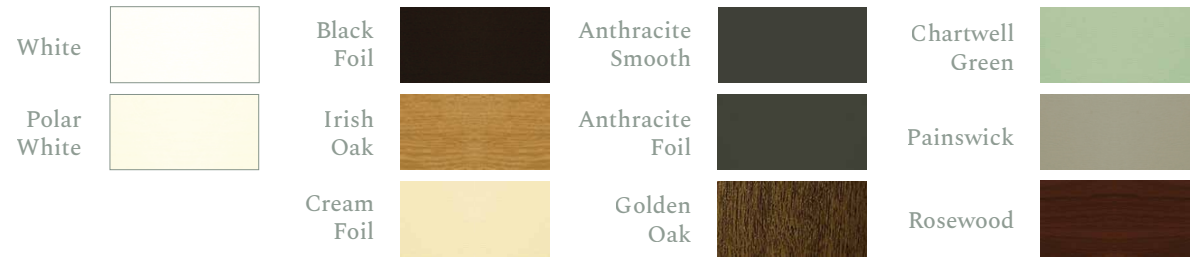


Flush Sash in Chartwell Green
with Monkey-Tail Handle





Timberlook Flush Sash is available in a range of standard colours. The matrix below illustrates how lead times are affected when ordering combinations for inside and out.



		Colour Outside											
		White	Polar White	Black Foil	Irish Oak	Anthracite Foil	Anthracite Smooth	Chartwell Green	Cream Foil	Rosewood	Painswick	Golden Oak	
Colour Inside	White	S	E	S	E	S	E	E	S	S	S	S	
	Polar White	n/a	S	E	E	E	E	E	E	E	E	E	
	Black Foil	n/a	n/a	E	n/a	n/a	n/a	n/a	n/a	n/a	n/a	n/a	
	Irish Oak	n/a	n/a	n/a	E	n/a	n/a	n/a	n/a	n/a	n/a	n/a	
	Anthracite Foil	n/a	n/a	n/a	n/a	E	n/a	n/a	n/a	n/a	n/a	n/a	
	Anthracite Smooth	n/a	n/a	n/a	n/a	n/a	E	n/a	n/a	n/a	n/a	n/a	
	Chartwell Green	n/a	n/a	n/a	n/a	n/a	n/a	E	n/a	n/a	n/a	n/a	
	Cream Foil	n/a	n/a	n/a	n/a	n/a	n/a	n/a	S	n/a	n/a	n/a	
	Rosewood	n/a	n/a	n/a	n/a	n/a	n/a	n/a	n/a	S	n/a	n/a	
	Painswick	n/a	n/a	n/a	n/a	n/a	n/a	n/a	n/a	n/a	E	n/a	
	Golden Oak	n/a	n/a	n/a	n/a	n/a	n/a	n/a	n/a	n/a	n/a	S	

S: Standard Manufacturing Time E: Extended Manufacturing Time

COMPLETING THE LOOK

There is more to completing a successful renovation or building project than choosing the right windows. As specialists in the manufacture of both Aluminium and PVCu systems, we have a wide range of products that can be perfectly combined for your project.

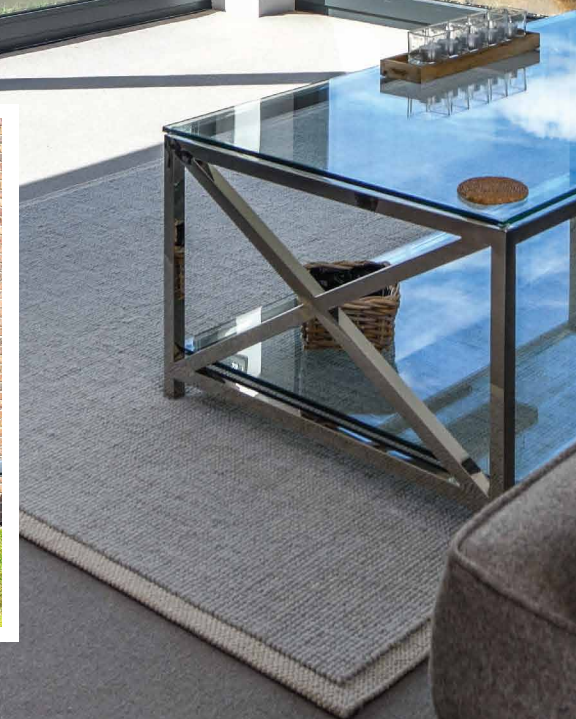
Choose from sliding or bifolding aluminium doors to really open up a space and bring the outside in. The strength to weight ratio of aluminium allows us to accommodate large glass units, with fewer and slimmer sightlines, flooding your rooms with light and increasing the sense of space.

Our aluminium rooflights and lantern systems can add to this effect, with minimal sightlines and unobstructed sky views.

Composite doors are an ideal solution for entrances, with styles and colours that maintain the integrity, look, and feel of the Timberlook Flush Sash and your heritage project.

By matching colours and finishes, we can ensure that the overall aesthetic is both visually pleasing and consistent.

Speak to your local specialist supplier to learn more.





Combine the **Timberlook Flush Sash** with the slim sightlines of aluminium sliding doors



Timberlook is the new Flush Sash Window system that boasts a square mortise & tenon looking fabrication for both the sash and outerframe, instead of the tell-tale mitred joints that would normally identify a window as being fabricated from PVCu.

Additionally, Timberlook has a 70mm back-to-front frame size to make installation faster, a slim 60mm sash to replicate a timber sash, and a night latch as standard.

YOUR LOCAL SPECIALIST SUPPLIER IS:



FOLDING DOORS 2 U

sales@foldingdoors2u.co.uk

01621 834123

foldingdoors2u.co.uk

DISCLAIMER: From time to time, the dimensions, hardware and designs of our products can change due to continuous product development. Accordingly, photographs, drawings, and product dimensions may not always be accurately represented on our website or in brochure material. In addition material colours on our website and brochures are representations only. Printing and computers only show an approximation. Customers should choose colours from actual samples. Before purchasing any product you should check with your installer as to the current design, dimension and exact colour of any product.