



The thermally broken folding door system is designed to allow for maximum thoroughfare through an opening.

The system is built up using a frame in which moveable parts or elements are placed in such a way that it is possible to fold up the elements to the left or right. These elements or sashes are supported and hinged to a mullion. At the bottom the mullion is supported by a roller mechanism which slides along the cill profile while at the top, the mullion is guided by another roller mechanism. There are many possible combinations of elements and opening sashes.



sliding folding door

sliding folding door

Smart Systems Ltd have been trading autonomously within the UK for 25 years.

They can be considered a 'one stop shop' for the window fabrication industry with a product range that includes windows with various opening facilities, (i.e. tilt/turn, projecting, fully reversible, sliding); doors - manual or automatic; glazed screen and curtain walling; roof glazing and conservatories. Smart Systems Ltd are active in the aluminium, aluminium/PVC-U composite, aluminium/timber composite and the PVC-U sectors of the UK architectural market.







Further information on Smart Systems' products may be found on our website www.smartsystems.co.uk, by email: sales@smartsystems.co.uk or by contacting the Marketing Department on 01934 876100.






MEMBERS OF
CWCT



Features

-  Polyamide Thermal Break for superior insulation
-  Security locking on main doors and intermediate stiles
-  Maximum sash weight up to 85 kgs
-  High performance weathering
-  Internally beaded
-  Virtually maintenance free

Options

-  Opening inside or outside of building
-  Accommodates glazing from 6mm to 38mm units and panels
-  Choice between standard cill or low cill profile allowing levelling of frame with floor

APPLICATIONS

This series of folding doors is mostly used in hotels and restaurants, stores and in private houses, in order to open a complete wall to create a larger space in the summer. The system is also interesting for conservatories to use as a screen you can open completely in summer times.

MATERIALS

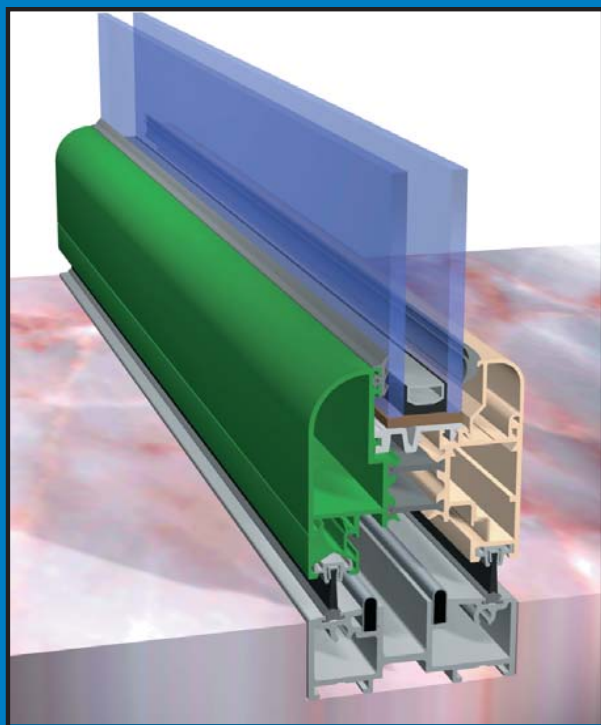
Aluminium: AlMgSi 0.5 Type 6060/6063 T5 in condition F22 (according to NBN P21-001 and DIN 7863, TV 110, NFP 85301, ISO 3994. Tested and approved according to an artificial ageing test of "Plexi glass" combined with vulcanised rubber.

Co-extruded profiles: according to DIN 7863, TV 110, BFP 85301, ISO 3994, tested and approved according to an artificial ageing test of "Plexi glass" combined with vulcanised rubber.

Thermal break: polyamide strips PA 6.6.25% reinforced with glass fibre.

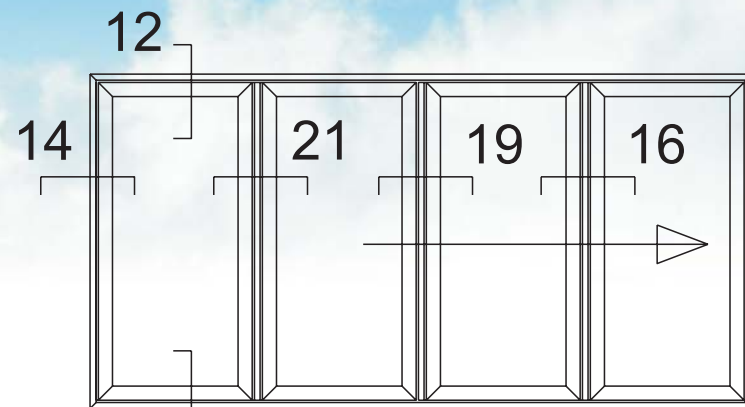
FINISHING

Electrostatic Powder coating: according to the guidelines of A.P.A.- Qualicoat in most of the current RAL- colours. The composed profiles (with thermal break) can be coated with different inner and outer colours (Dual Colour). Anodisation in satin or bronze colours with EWAA/EURAS- Qualinod quality label. Also available in woodstructure finish to imitate different woodstructures (Powder coated according to Qualicoat standards)

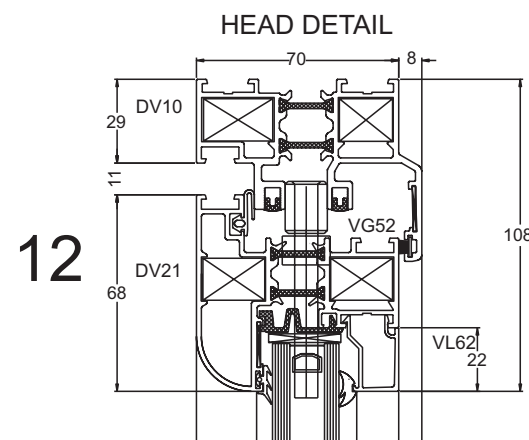
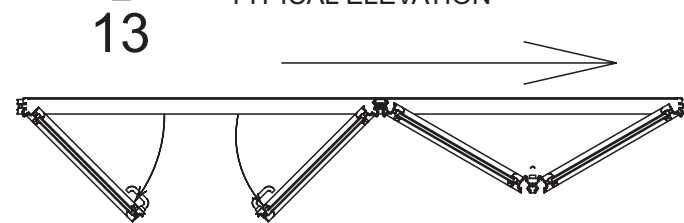


sliding folding door system

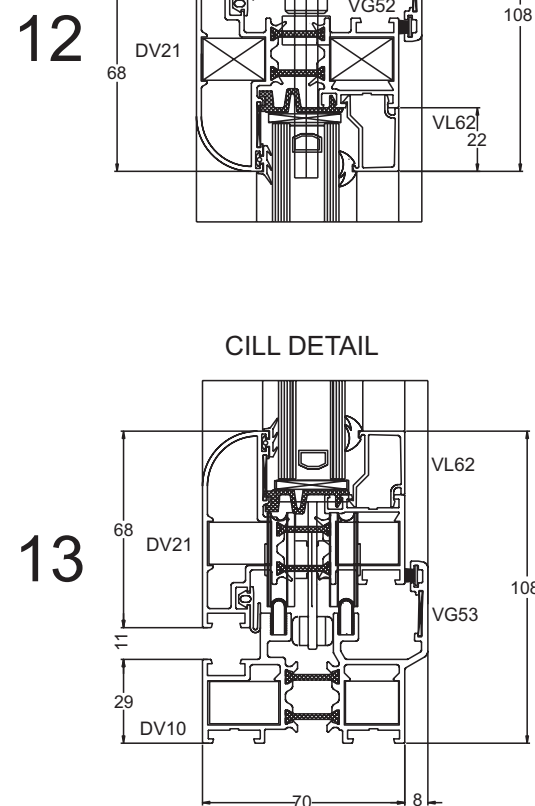
Type 4e



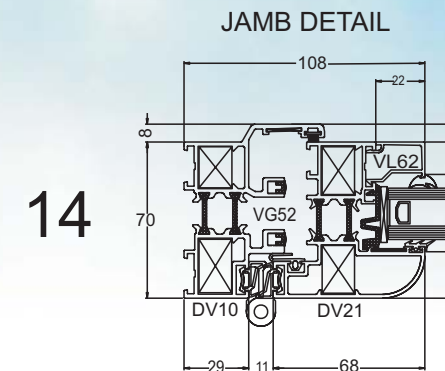
TYPICAL ELEVATION



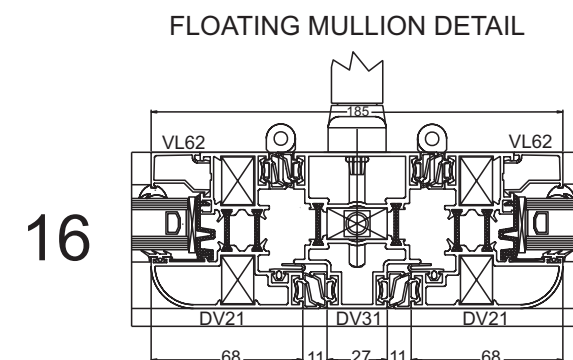
HEAD DETAIL



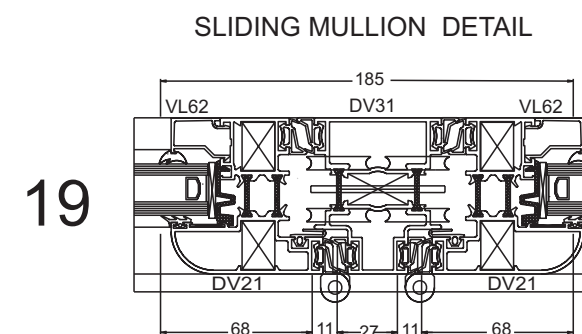
CILL DETAIL



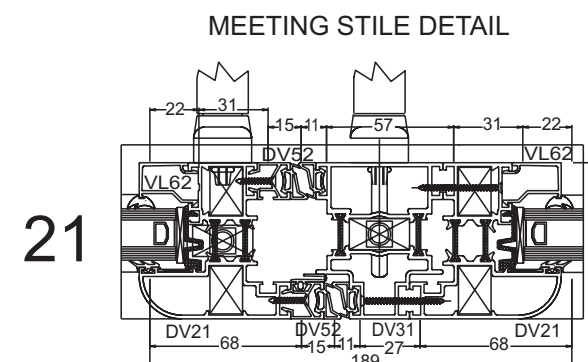
JAMB DETAIL



FLOATING MULLION DETAIL



SLIDING MULLION DETAIL



MEETING STILE DETAIL

THERMAL BREAK

The profiles consist of 2 aluminium extrusions which are separated from one another by polyamide strips PA 6.6.25 reinforced with glass fibre. A gluing thread, rolled and pushed in together with the thermal break profile ensures a strong adhesion after melting and flowing, when the profiles are heated in the hardening furnace.

PERFORMANCE LEVEL

According to STS 52.0

Air transmission:	PA2
Mechanical resistance to wind:	PV2
Watertightness	PE2

DETAILS

Built-in depth: outer frame 78mm, sash 70mm

Sealings: with extruded E.P.D.M. rubbers and P P brushes

Glazing: from 6 to 38 mm



smart
SYSTEMS